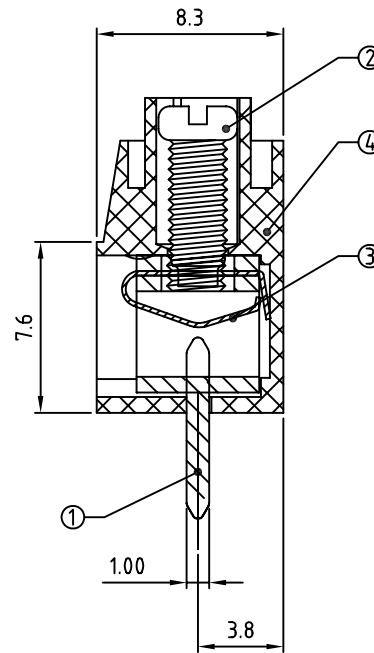


N=Number of contacts



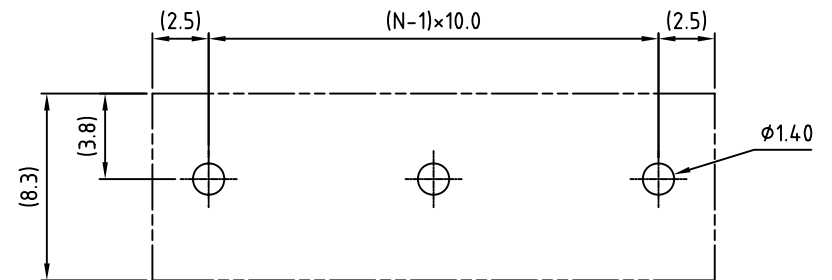
Material

- Item① Terminal body(metal housing): Brass stamped,Tin plated
- Item② Terminal screw: Steel Zinc plating "-" slot type
- Item③ Wire guard: PhBz
- Item④ Insulator (housing): Thermoplastic (UL94V-0)

Electrical UL / cUL

- Voltage rating: 300VAC/250VAC
- Current rating: 10A/15A
- Wire range:
- Solid wire(AWG): 12-22/12-20
- Stranded wire(AWG): 12-22/12-20
- Torque(Lb-In): 3.5
- Screw: M2.5
- Wire strip length: 6-7mm
- Withstanding Voltage: 1.6KV
- Operating temperature: -40°C to +115°C
- Soldering temperature: 250°C±10°C/5 Sec
- Safety Approval:

TBN100-D14-xx-LF
LEADFREE
RoHS Compliant



RECOMMENDED PCB LAYOUT

	PART NO. TBN100-D14-xx		TOLERANCES ARE .X ± 0.2 .XX ± .XXX ± ANG	DESCRIP TION:				
	DWG NO. TBN100-D14-xx							CHECKED BY CY
焜倫股份有限公司	FILE NO.		DRAWING BY		AREA	REVISIONS	HK	DATE
	UNIT / mm	SCALE 1:1	PROJECTION					