

SPECIFICATIONS

- ① Housing Material: Polyamide 66(UL94V-0), Green
- ② Screw: M2.6 Nickel Plated Steel
- ③ Terminals: Tin Plated Brass
- ④ Wire Protector: Stainless Strip Steel

Screws Torque: 2 In-Lb

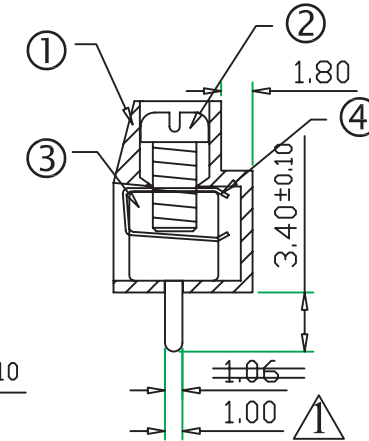
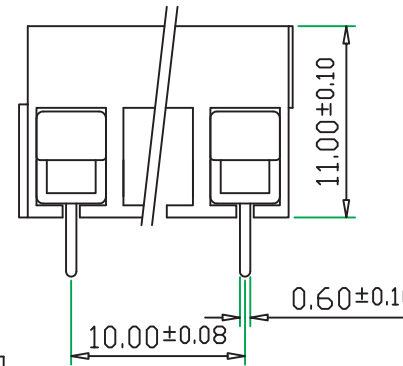
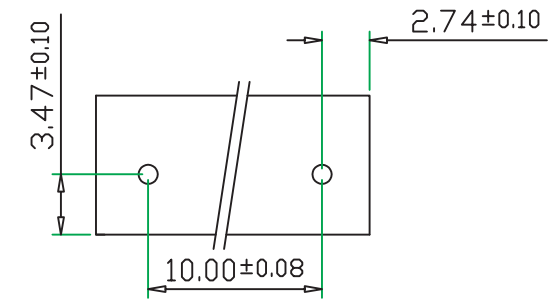
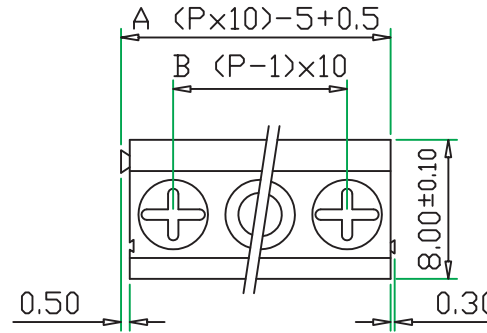
Wire Range: 16~22 AWG

Rated: 10 Amperes.AC250V

Operation Temperature: -55°C~+100°C

Insulation withstands volt: AC2000V min

Insulation resistance: >1000MΩ or more at DC500V



POLE	2	3	4	5	6	7	8	9	10	11		
A	15.5	25.5	35.5	45.5	55.5	65.5	75.5	85.5	95.5	105.5		
B	10	20	30	40	50	60	70	80	90	100		
POLE	12	13	14	15	16	17	18	19	20	21	22	23
A	115.5	125.5	135.5	145.5	155.5	165.5	175.5	185.5	195.5	205.5	215.5	225.5
B	110	120	130	140	150	160	170	180	190	200	210	220

TBN100-D11-xx-LF
LEADFREE
RoHS Compliant



PART NO. TBN100-D11-xx

DWG NO. TBN100-D11-xx

FILE NO.

UNIT / mm

SCALE 1:1

CHECKED BY CY

DRAWING BY

PROJECTION



TOLERANCES ARE

.X ± 0.2
.XX ±
.XXX ±
AWG

DESCRIPTION:

Barrier type terminal block

AREA

REVISIONS

HK

DATE

煜倫股份有限公司