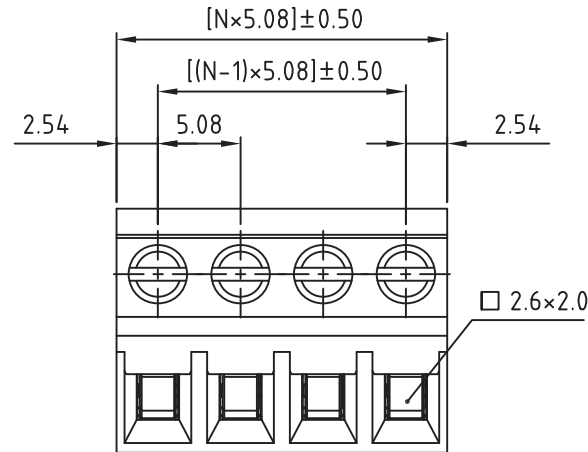


Material:

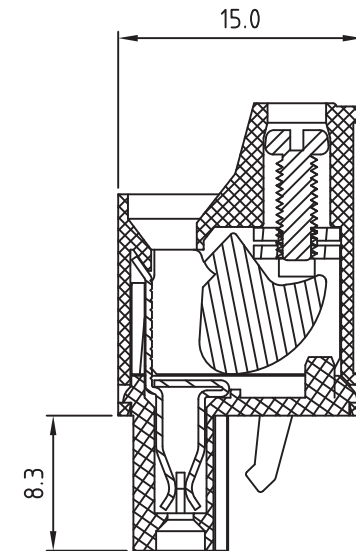
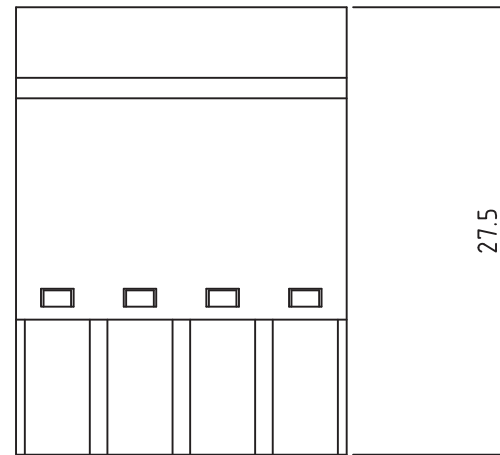
- Terminal body
- (metal housing): Steel
- Terminal screw: Steel Zinc plating "-" slot type.
- Wire guard: PhBz(CuSn), Tin plated.
- Insulator(housing): Thermoplastic (UL94V-0)

Electrical: cULus

- Voltage rating: 300V
- Current rating: 20A
- Wire range:
- Solid wire(AWG): 12-22
- Stranded wire(AWG): 12-22
- Torque: 3.5 Lb-In.
- Screw: M2.5
- Wire strip length: 6-7mm
- Withstanding Voltage: 1.6KV
- Operating temperature: -30°C to +105°C



N=Number of contacts



RoHS Compliant

TOLERANCES ARE

MORETHANALL
PCB CONNECTORS
Cable ASSEMBLIES

煜倫股份有限公司

www.morethanall.com

DRAWING BY CY

CHECKED BY GENIUS

UNIT / mm

SCALE 1 : 1

DATE

SIZE A4

PJECTION

X. ±
.X ±
.XX ±
.XXX ±
ANG ±

照片框

ORDER INFORMATION

TBN051-SH-xx-LF

SERIES

LEADFREE

02~24WAY

SCREW WIRE

FEMALE

DESCRIPTION: