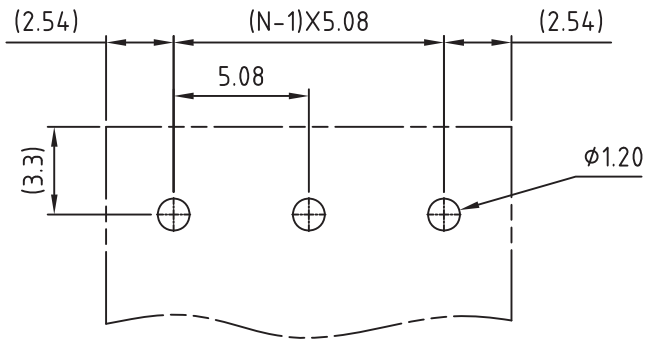
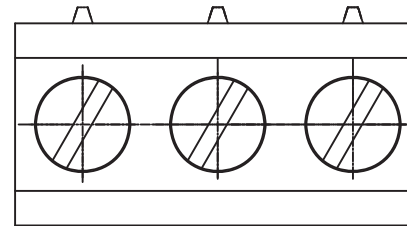


## Material

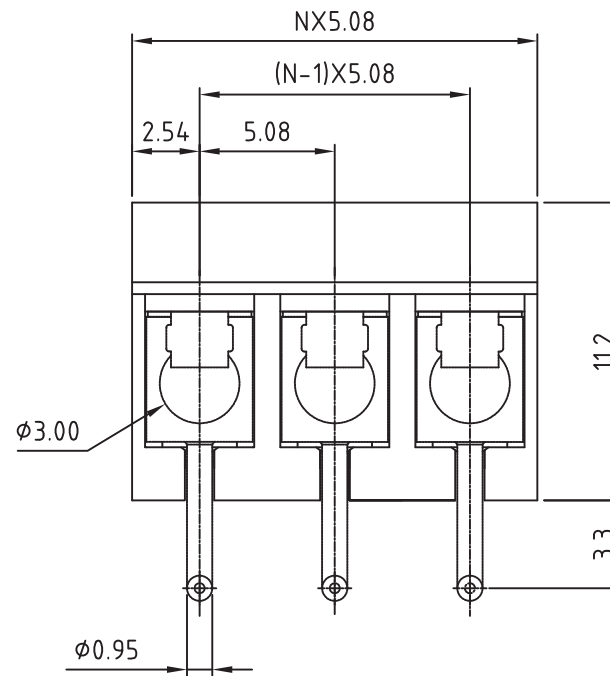
- Terminal body
- (metal housing): Brass(CuZn)
- Terminal screw: Steel Zinc plating “-” slot type
- Wire guard: stainless steel
- Surface of solder tail: Tin plated
- Insulator (housing): Thermoplastic (UL94V-0)

## Electrical

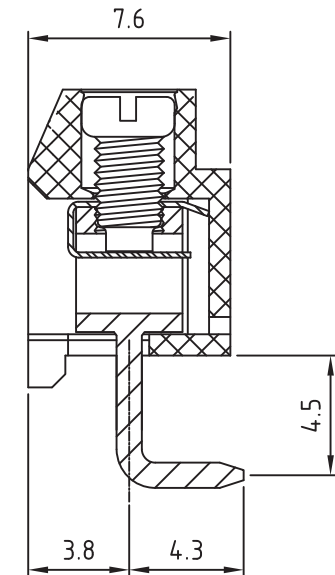
- Voltage rating: 300VAC
- Current rating: 15A
- Wire range:
- Solid wire(AWG): 14-24
- Stranded wire(AWG): 14-24
- Torque(Lb-In): 3.5
- Screw: M2.6
- Wire strip length: 5-6mm
- Withstanding Voltage: 1.6KV
- Operating temperature: -30° C to +105° C
- Soldering temperature: 245° C ±10° C/5 Sec



PCB. LAYOUT



N=Number of contacts



**RoHS Compliant**

TOLERANCES ARE

**MORETHANALL**  
PCB CONNECTORS  
Cable ASSEMBLIES

煜倫股份有限公司

www.morethanall.com

DRAWING BY CY

CHECKED BY GENIUS

UNIT / mm SCALE 1 : 1

DATE

SIZE A4

X. ±  
.X ±  
.XX ±  
.XXX ±  
ANG ±

P PROJECTION

照片框

**ORDER INFORMATION**

TBN051-RU-xx-LF

SERIES U LEADFREE  
02~24WAY  
U TYPE  
DIP 90°

DESCRIPTION: