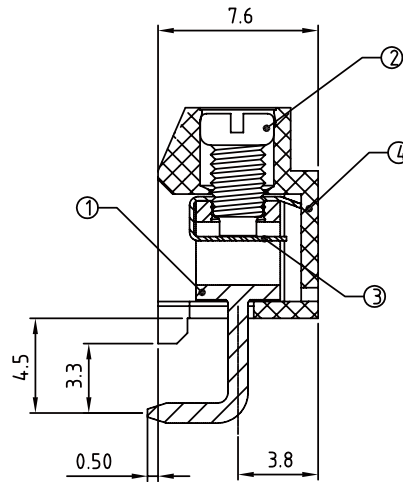
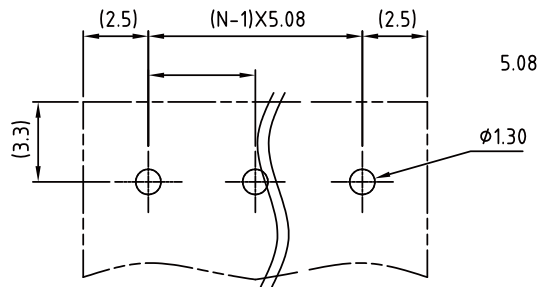


N=Number of contacts



Material

- Item ① Terminal body(metal housing): Brass(CuZn),Tin plated
- Item ② Terminal screw: Steel Zinc plating "-" slot type
- Item ③ Wire guard: Stainless steel
- Item ④ Insulator (housing): Thermoplastic (UL94V-0)

Electrical

- Voltage rating: 300VAC
- Current rating: 15A
- Wire range:
- Solid wire(AWG): 14-24
- Stranded wire(AWG): 14-24
- Torque(Lb-In): 3.5
- Screw: M2.6
- Wire strip length: 5-6mm
- Withstanding Voltage: 1.6KV
- Operating temperature: -40°C to +115°C
- ▲ Soldering temperature: 250°C±10°C/5 Sec

RoHS Compliant

TOLERANCES ARE

MORETHANALL
PCB CONNECTORS
Cable ASSEMBLIES

DRAWING BY CY

CHECKED BY GENIUS

UNIT / mm

SCALE 1 : 1

DATE

SIZE A4

X. ±

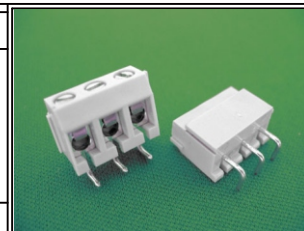
.X ±

.XX ±

.XXX ±

ANG ±

PJECTION



ORDER INFORMATION

TBN051-RL-xx-LF

SERIES

LEADFREE

02-24WAY

LOW

DIP 90°

煜倫股份有限公司

www.morethanall.com

DESCRIPTION: