

Technical Data:

Material:

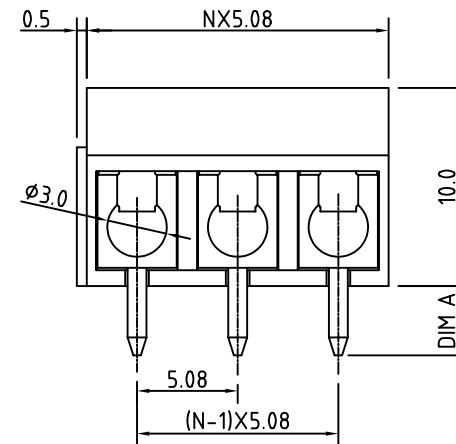
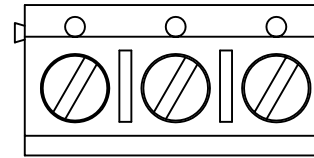
- Contact(metal housing): Brass (CuZn)
- Terminal screw: Steel galvanized and chromate or Nickel plated or Tin plated(standard)(option)
- Wire guard: Stainless steel
- Surface of solder tail: tin plated
- Insulator body(housing): Polyamide(Glass filled)(UL94V-0)

Electrical

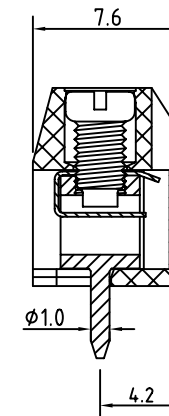
- Voltage rating: 250VAC
- Current rating: 16 Amps/way max
- Contact resistance: 20mΩ (max)
- Insulation resistance: 5000MΩ/1000V
- Withstanding Voltage: 1500VAC(lmin) Test time=60sec/1pcs
- Wire range: 14-22AWG

Mechanical:

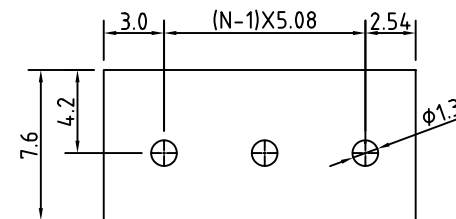
- Torque: 4kg-cm/M2.6
- Operating temperature: -33°C to +120°C
- Soldering ability: 95%coverage(min)
 - Test temperature= 230°C±10°C
 - Test time= 4sec±0.5sec
- Soldering reliability:
 - Test temperature= 250°C±10°C
 - 5 seconds max



N=Number of contacts



P.C.B. LAYOUT



DIM A Length

Code	DIM A
0	4.4mm
1	3.8mm
2	3.5mm
3	2.9mm
4	3.95mm
5	8.5mm

RoHS Compliant

TOLERANCES ARE



煜倫股份有限公司

www.morethanall.com

DRAWING BY CY

CHECKED BY GENIUS

UNIT / mm

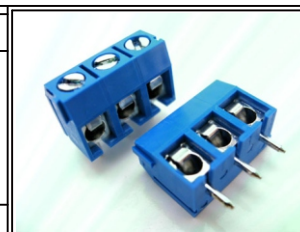
SCALE 1 : 1

DATE

SIZE A4

X. ±
.X ±
.XX ±
.XXX ±
ANG ±

PJECTION



ORDER INFORMATION

TBN051-D10-xx-LF

SERIES | LEADFREE
02-24WAY
HIGH 10.0mm
DIP 180°

DESCRIPTION: