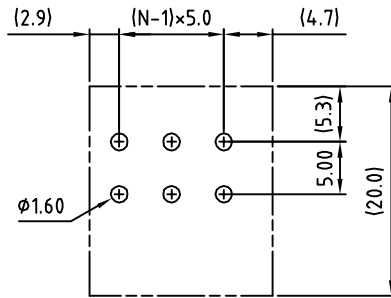
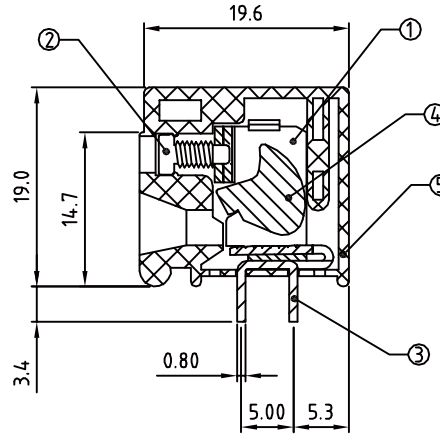


N=Number of Poles



P.C.B LAYOUT



Material

- Item ① Terminal body(metal housing): steel stamped Zinc plating
- Item ② Terminal screw: Steel Zinc plating "-" slot type
- Item ③ Contacts: Brass, Tin plated
- Item ④ Firm wire chunk: steel Zinc plating
- Item ⑤ Insulator (housing): Thermoplastic (UL94V-0)

△ Electrical cULus

- Voltage rating: 300VAC
- Current rating: 20A
- Wire range:
 - Solid wire(AWG): 12-22
 - Stranded wire(AWG): 12-22
- Torque(Lb-In): 2.4
- Screw: M2.5
- Wire strip length: 10-11mm
- Withstanding Voltage: 1.6KV
- Operating temperature: -30°C to +105°C
- △ Soldering temperature: 250°C±10°C/5 Sec
- Safety Approval:

RoHS Compliant

TOLERANCES ARE

MORETHANALL
PCB CONNECTORS
Cable ASSEMBLIES

煜倫股份有限公司

www.morethanall.com

DRAWING BY CY

CHECKED BY GENIUS

UNIT/ mm

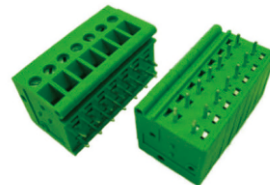
SCALE 1:1

DATE

SIZE A4

P PROJECTION

X, ±
.X ±
.XX ±
.XXX ±
ANG ±



ORDER INFORMATION

TBN050-R19-xx-LF

SERIES

LEADFREE

02~24WAY

HIGH 19.0mm

DIP 90°

DESCRIPTION: