

SPECIFICATIONS

BARRIER MATERIAL: THERMOPLASTIC (UL 94V-0) GREEN

TERMINALS: TIN PLATED BRASS

SCREWS: ZINC PLATED STEEL

WIRE RANGE AWG: 22-16 STR

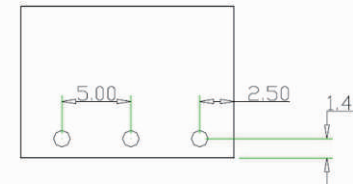
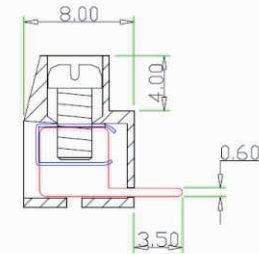
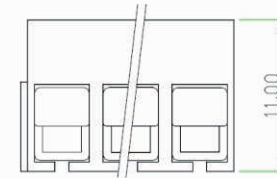
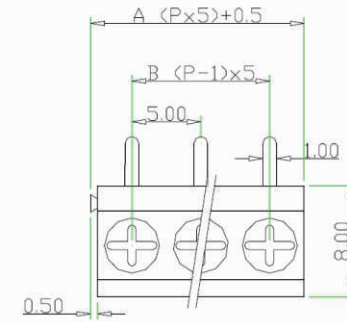
RATING: 10 AMPERES, 250 VAC

INSULATION WITHSTANDS VOLTAGE AC 2000V

INSULATION RESISTANCE 500 Ω OR MORE AT DC 500V

FEATURES

SUPPLY 2P 3P CAN BE DOVETAILED TOGETHER TO MAKE ANY LENGTH & DIFFERENT COMBINATIONS



POLE	2	3	4	5	6	7	8	9	10	11	12	13	14	15
A	10.5	15.5	20.5	25.5	30.5	35.5	40.5	45.5	50.5	55.5	60.5	65.5	70.5	75.5
B	5	10	15	20	25	30	35	40	45	50	55	60	65	70
POLE	16	17	18	19	20	21	22	23	24	25	26			
A	80.5	85.5	90.5	95.5	100.5	105.5	110.5	115.5	120.5	125.5	130.5			
B	75	80	85	90	95	100	105	110	115	120	125			

RoHS Compliant

TOLERANCES ARE

MORETHANALL
PCB CONNECTORS
Cable ASSEMBLIES

煜倫股份有限公司

www.morethanall.com

DRAWING BY CY

CHECKED BY GENIUS

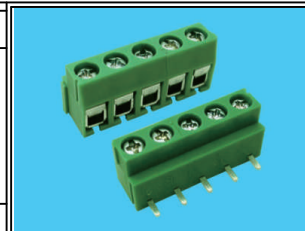
UNIT / mm SCALE 1 : 1

DATE

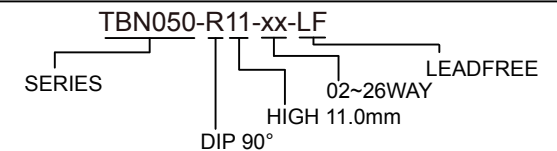
SIZE A4

P PROJECTION

X, ±
.X ±
.XX ±
.XXX ±
ANG ±



ORDER INFORMATION



DESCRIPTION: