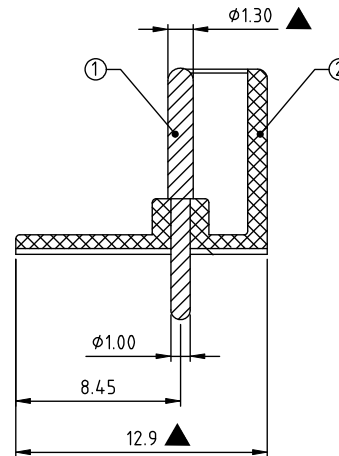
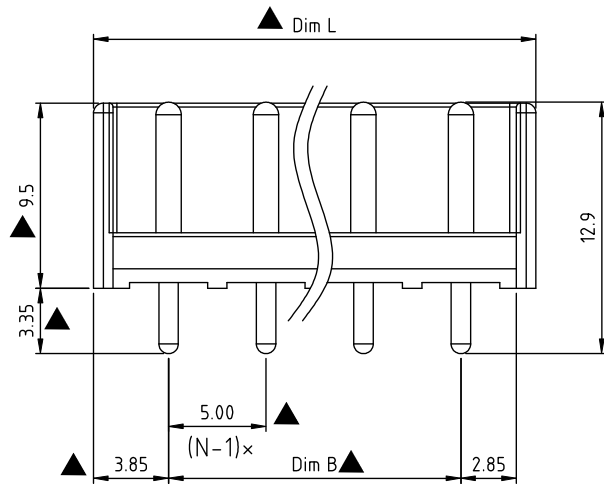


Material

- Item ① Male contact pin: Brass(CuZn), Tin or Au plated.
- Item ② Terminal (housing): Thermoplastic (UL94V-0)

△ Electrical

- Voltage rating: 300V
- Current rating: 10A
- Withstanding Voltage: 1.6KV
- △ Operating temperature: -40°C to +115°C
- Soldering temperature: 260°C±5°C/5 Sec
- Safety Approval:
- Critical dimension: ▲



Poles	02	03	04	05	06	07	08	09	10	11	12	13
Dim L	12.7	17.7	22.7	27.7	32.7	37.7	42.7	47.7	52.7	57.7	62.7	67.7
Dim B	5.00	10.00	15.00	20.00	25.00	30.00	35.00	40.00	45.00	50.00	55.00	60.00
TOL	±0.15					±0.20					±0.25	
Poles	14	15	16	17	18	19	20	21	22	23	24	
Dim L	72.7	77.7	82.7	87.7	92.7	97.7	102.7	107.7	112.7	117.7	122.7	
Dim B	65.00	70.00	75.00	80.00	85.00	90.00	95.00	100.0	105.0	110.0	115.0	
TOL	±0.25					±0.30						

RoHS Compliant

TOLERANCES ARE

MORETHANALL
PCB CONNECTORS
Cable ASSEMBLIES

DRAWING BY CY

X. ± 0.50

CHECKED BY GENIUS

.X ± 0.30

UNIT / mm

SCALE 1 : 1

.XX ± 0.10

DATE

.XXX ±

ANG ± 1°

SIZE A4

P PROJECTION

照片框

ORDER INFORMATION

TBN050-PD13-xx-LF

SERIES

LEADFREE

02~24WAY

HIGH 12.9mm

DIP 180°

MALE

煜倫股份有限公司

www.morethanall.com

DESCRIPTION: