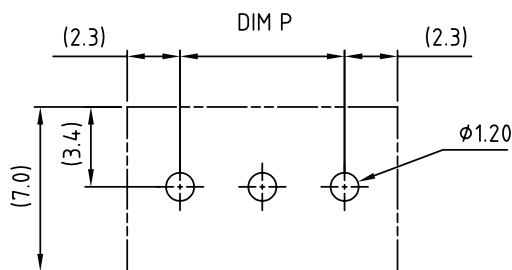
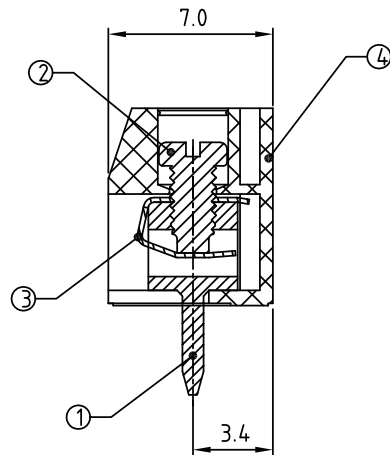


N=Number of contacts



P.C.B. LAYOUT



Material

- Item ① Terminal body(metal housing): Brass(CuZn),Tin plated
- Item ② Terminal screw: Steel Zinc plating "-" slot type
- Item ③ Wire guard :stainless steel
- Item ④ Insulator (housing): Thermoplastic (UL94V-0)

△ Electrical UL

- Voltage rating: 125V
- Current rating: 10A
- Wire range:
- Solid wire(AWG): 16-26
- Stranded wire(AWG): 16-26
- Torque: 1.7Lb-In
- Screw: M2
- Wire strip length: 5-6mm
- Withstanding Voltage: 1.25KV
- Operating temperature: -40°C to +115°C
- Soldering temperature: 250°C±10°C/5 Sec
- Safety Approval:

N=Number of contacts

Dim.L = N x 3.5

Dim.P = (N-1) x 3.5

Dim \ Poles	2P-6P	7P-12P	13P-18P	19P-24P
Dim.L	±0.10	±0.20	±0.30	±0.40
Dim.P	±0.10	±0.15	±0.25	±0.35

TBN035-D08xx-xx-LF
 BLANK:BLUE LEADFREE
 BK:BLACK 02~24WAY
 GR:GREEN
 GE:GREY

RoHS Compliant

MORETHANALL
CONNECTORS
ASSEMBLIES

煜倫股份有限公司

PART NO. TBN035-D08xx-xx

DWG NO. TBN035-D08xx-xx

FILE NO.

UNIT / mm

SCALE 1:1

CHECKED BY CY

DRAWING BY

PROJECTION

TOLERANCES ARE

- X. ± 0.30
- .X ± 0.10
- .XX ±
- .XXX ±
- ANG

DESCRIPTION:

AREA

REVISIONS

DATE