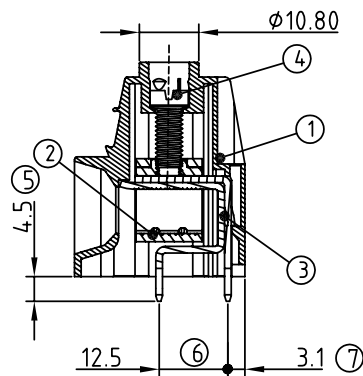
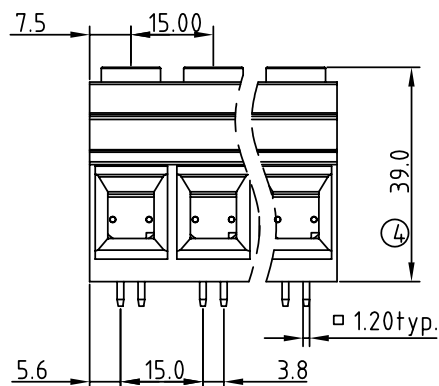


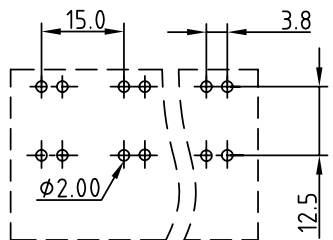
Dimension

Pole	DIM A	DIM B
2	30.00±0.30	15.00±0.20
3	45.00±0.30	30.00±0.30
4	60.00±0.50	45.00±0.30
5	75.00±0.50	60.00±0.50
6	90.00±0.80	75.00±0.50
7	105.00±0.80	90.00±0.80
8	120.00±0.80	105.00±0.80
9	135.00±0.80	120.00±0.80
10	150.00±0.80	135.00±0.80

N=Number of poles



SECTION A-A



P.C.B. Layout

Material:

- Item 1 Insulator(housing):Thermoplastic (UL 94V-0)
- Item 2 Metal housing: Steel Stamping
- Item 3 Contacts:Brass
- Item 4 Terminal screw: Cr3+Zn plating"-slot type

Electrical cULus IEC

- Voltage rating: 600V 1000V
- Current rating: 125A 125A
- Wire range: 35MM²
- Solid wire(AWG): 2-20
- Stranded wire(AWG): 2-20
- Torque(Lb-In): 36.5
- Screw: M5
- Wire strip length: 12-15mm
- Withstanding Voltage: 2.2KV 8KV
- Operating temperature: -40°C to +115°C
- △ Soldering temperature: 250°C±10°C/5 Sec
- Safety Approval: US

TBH150-D39-xx-LF
LEADFREE
RoHS Compliant

MORETHANALL
CONNECTORS
ASSEMBLIES

煜倫股份有限公司

PART NO. TBH150-D39-xx		CHECKED BY CY	TOLERANCES ARE .X ± 0.2 .XX ± .XXX ± AWG	DESCRIP TION:			
DWG NO. TBH150-D39-xx							
FILE NO.		DRAWING BY	AREA REVISIONS HK DATE				
UNIT / mm	SCALE 1:1	PROJECTION					