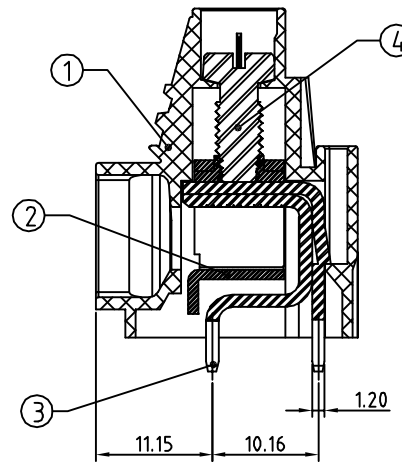
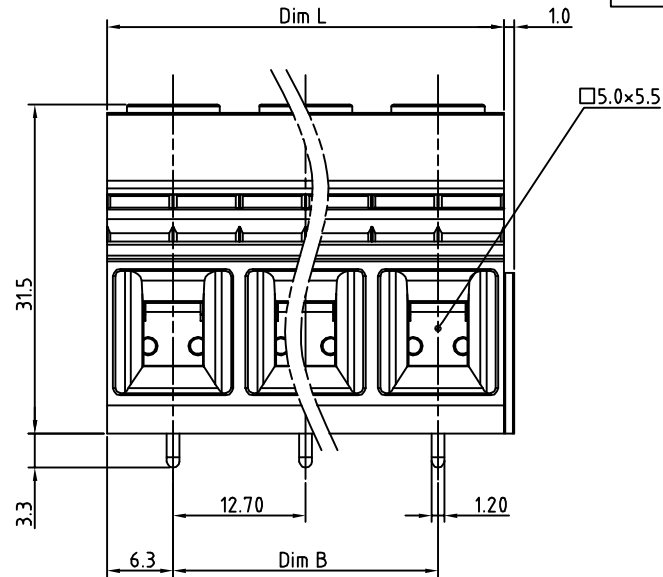


**Material:**

- Item 1 Insulator(housing):Thermoplastic (UL 94V-0)
- Item 2 Metal housing: Steel stamping
- Item 3 Contacts:Brass
- Item 4 Terminal screw: Steel Zinc plating"-slot type

- Electrical cULs IEC
- Voltage rating : 600V 1000V
  - Current rating : 60A 76A

- Wire range : 16.00mm<sup>2</sup>
- Solid wire (AWG) : 6-20
- Stranded wire (AWG) : 6-20
- Torque (LB-In.) : 12kgf.cm
- Screw : M4
- Wire strip length : 10-11mm
- Withstanding voltage : 2.2KV 6KV
- Operating temperature : -40°C+115°C
- Soldering temperature : 250°C+10°C/5 Sec



TBH127-D31B-xx-LF  
LEADFREE  
RoHS Compliant

Poles	02	03	04	05	06	07	08	09	10	11	12
Dim L	25.40	38.10	50.80	63.50	76.20	88.90	101.60	114.30	127.0	139.70	152.40
Dim B	12.70	25.40	38.10	50.80	63.50	76.20	88.90	101.60	114.30	127.0	139.70
TOL	±0.15					±0.20				±0.30	

**MORETHANALL**  
CONNECTORS  
ASSEMBLIES

PART NO. TBH127-D31B-xx

DWG NO. TBH127-D31B-xx

FILE NO.

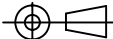
UNIT / mm

SCALE 1:1

CHECKED BY CY

DRAWING BY

PROJECTION



TOLERANCES ARE

- .X ± 0.2
- .XX ±
- .XXX ±
- AWG

DESCRIPTION:

AREA

REVISIONS

HK

DATE

焯倫股份有限公司