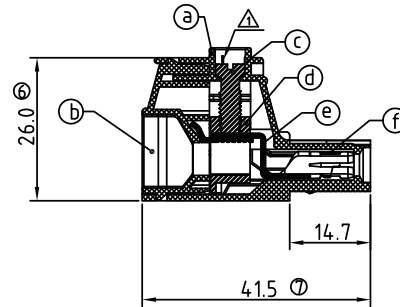
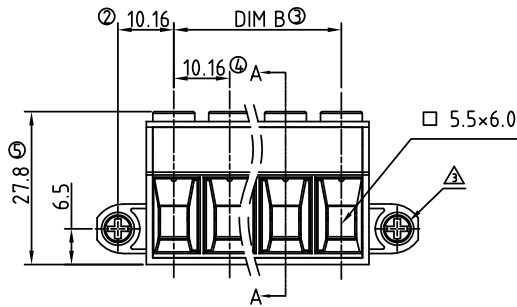


DIM L



SECTION A-A

Material

- Item a Terminal body :Thermoplastic (UL94V-0)
- Item b Terminal cover:Thermoplastic (UL94V-0)
- Item c Terminal screw :Steel Cr3+ Zinc plating “-” slot type
- Item d Clamp: Brass, Ni plated
- △ ● Item e Female contact :Copper Tin plated
- Item f Wire guard :Stainless Steel
- △ ● Item g With flange screw :Steel Zinc plating M3“+/-”slot type

Electrical cULus / IEC

- Voltage rating: 300VAC / 1000VAC
- Current rating: 55A / 76A
- Solid wire: 6-20 / 0.5-16mm²
- Stranded wire: 6-20 / 0.5-16mm²
- Torque: 10.4 Lb-In / 1.2 N.m
- Screw: M4.5
- Wire strip length: 13-14mm
- Withstanding Voltage: 1.6KV / 8KV
- Operating temperature: -40°C to +115°C
- Safety Approval:

Poles	02	03	04	05	06	07	08	09	10	11	12
Dim L	20.16	30.32	40.48	50.64	60.80	70.96	81.12	91.28	101.44	111.60	121.76
Dim B	10.16	20.32	30.48	40.64	50.80	60.96	71.12	81.28	91.44	101.60	111.76
TOL	±0.25						±0.35				

RoHS Compliant

MORETHANALL
PCB CONNECTORS
Cable ASSEMBLIES

煜倫股份有限公司

www.morethanall.com

DRAWING BY CY

CHECKED BY GENIUS

UNIT/ mm SCALE 1:1

DATE

SIZE A4

TOLERANCES ARE

X. ± 0.50

.X ± 0.30

.XX ± 0.10

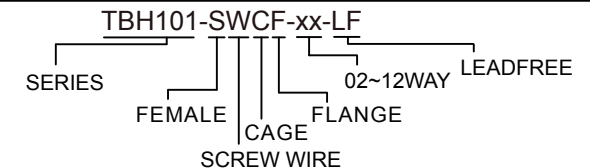
.XXX ±

ANG ± 1°

P PROJECTION

照片框

ORDER INFORMATION



DESCRIPTION: