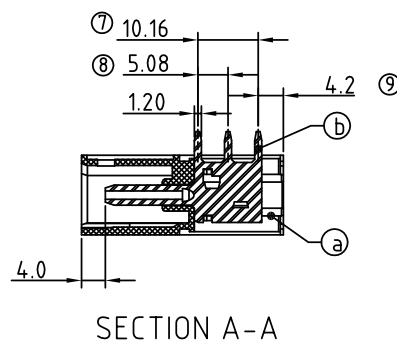
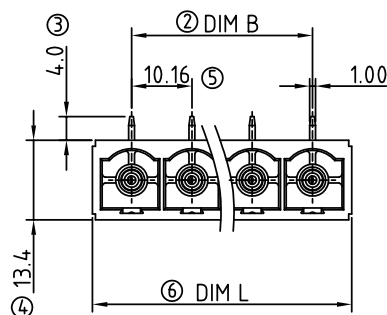


Material:

- Item a Terminal(housing): Thermoplastic,UL 94 - V0.
- Item b Male contact pin: Copper Gold plated

Electrical: cULus / IEC

- Voltage rating: 300V / 1000V
- Current rating: 55A / 76A
- Withstanding Voltage: 1.6 KV / 8 KV
- Operating temperature: -40°C to +115°C
- Soldering temperature: 250°C±10°C/5 Sec
- Safety Approval: us



Poles	02	03	04	05	06	07	08
Dim L	23.36	33.52	43.68	53.84	64.00	74.16	84.32
Dim B	10.16	20.32	30.48	40.64	50.80	60.96	71.12
TOL	±0.25			±0.35			

RoHS Compliant

TOLERANCES ARE

MORETHANALL
PCB CONNECTORS
Cable ASSEMBLIES

DRAWING BY CY

CHECKED BY GENIUS

UNIT/mm SCALE 1:1

DATE

SIZE A4

X. ± 0.50
.X ± 0.30
.XX ± 0.10
.XXX ±
ANG ± 1°

P PROJECTION

照片框

ORDER INFORMATION

TBH101-PRC-xx-LF



DESCRIPTION:

煜倫股份有限公司

www.morethanall.com