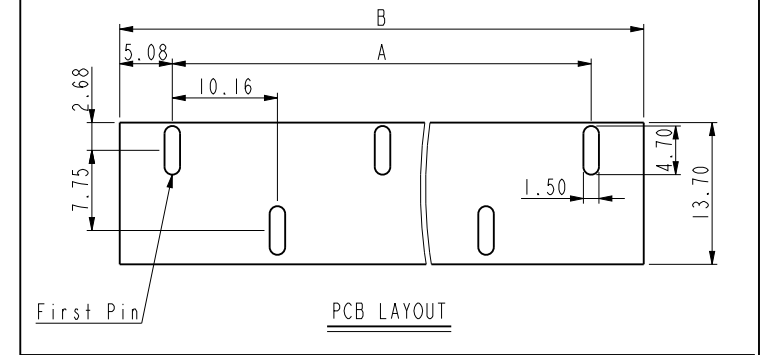
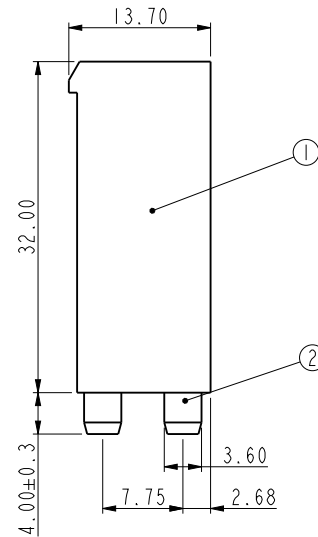


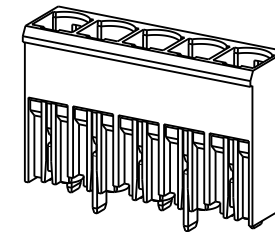
First Pin

P	2	3	4	5	6	7	8	9	10
A	10.16	20.32	30.48	40.64	50.8	60.96	71.12	81.28	91.44
B	20.32	30.48	40.64	50.8	60.96	71.12	81.28	91.44	101.6



First Pin

PCB LAYOUT



2	SOLDER PIN	COPPER ALLOY	Ag Plated
1	HOUSING	PA66	UL94-V0 GREEN
ITEM	NAME OF PART	MATERIAL	NOTES

RoHS Compliant

TOLERANCES ARE

MORETHANALL
PCB CONNECTORS
Cable ASSEMBLIES

煜倫股份有限公司

www.morethanall.com

DRAWING BY CY

CHECKED BY GENIUS

UNIT / mm SCALE 1:1

DATE

SIZE A4

X.±
.X±
.XX±
.XXX±
ANG±

PJECTION

照片框

ORDER INFORMATION

TBH101-PDC2-xx-LF

SERIES LEADFREE
02~10WAY
2 ROW
CAGE
DIP 180°
MALE

DESCRIPTION: