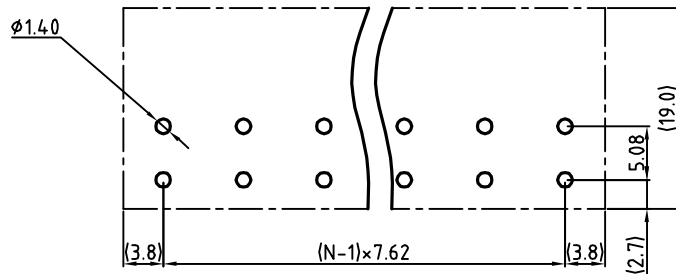
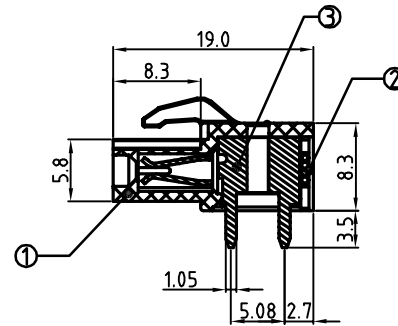
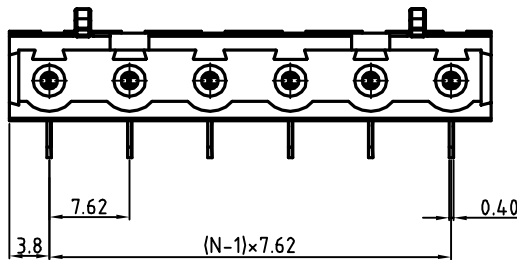


N=Number of contacts



PCB LAYOUT

Materials

- Item 1 insulating body
- Item 2 insulating Cover
- Item 3 Wire guard

Thermoplastic (UL94V-0)
 Thermoplastic (UL94V-0)
 PhBz(CuSn), Tin plated

Electrical

- Voltage rating: 300VAC
- Current rating: 10A
- Withstanding Voltage: 1.6kv
- Operating temperature: -30°C to +105°C
- Soldering temperature: 245°C±10°C/5 Sec

RoHS Compliant

TOLERANCES ARE

MORETHANALL
 PCB CONNECTORS
 Cable ASSEMBLIES

煜倫股份有限公司

www.morethanall.com

DRAWING BY CY

CHECKED BY GENIUS

UNIT / mm

SCALE 1 : 1

DATE

SIZE A4

X, ±

.X ±

.XX ±

.XXX ±

ANG ±

PJECTION

照片框

ORDER INFORMATION

TBH076-SR-xx-LF

SERIES LEADFREE
 02~24 WAY
 DIP 90°
 FEMALE

DESCRIPTION: