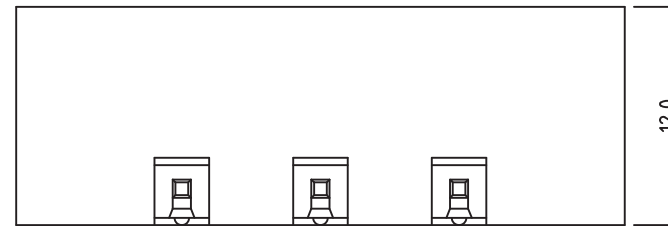
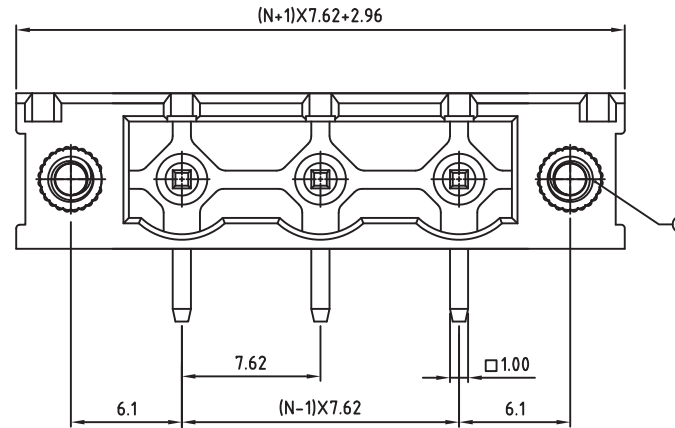


Material:

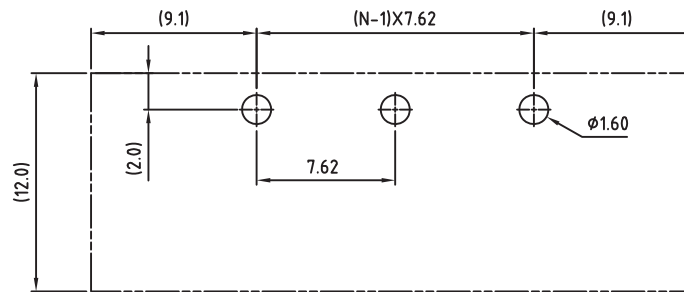
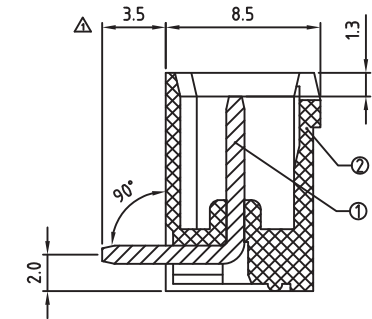
- Item ① Contact pin: Brass(CuZn) Tin plated
- Item ② Insulator(housing): Thermoplastic (UL94V-0)
- Item ③ With flange nut: Brass ,M2.5

Electrical:

- Voltage rating: 300V
- Current rating: 20A
- Withstanding Voltage: 1.6 KV
- Operating temperature: -30°C to +105°C
- Soldering temperature: 250°C±10°C/5 Sec
- Safety Approval:



N=Number of contacts



RECOMMENDED PCB LAYOUT

RoHS Compliant

TOLERANCES ARE

MORETHANALL
PCB CONNECTORS
Cable ASSEMBLIES

煜倫股份有限公司

www.morethanall.com

DRAWING BY CY

CHECKED BY GENIUS

UNIT / mm SCALE 1 : 1

DATE

SIZE A4

X, ±

.X ±

.XX ±

.XXX ±

ANG ±

P PROJECTION

照片框

ORDER INFORMATION

TBH076-PRF-xx-LF

SERIES

LEADFREE
02~24WAY
FLAT/PIN
DIP 90°
MALE

DESCRIPTION: