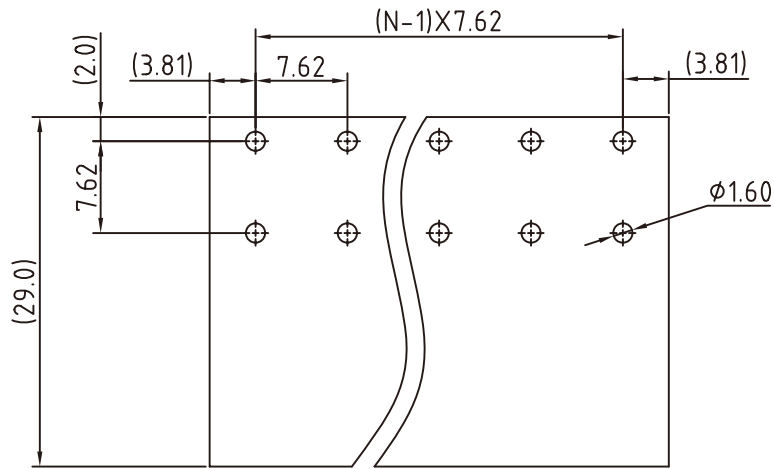
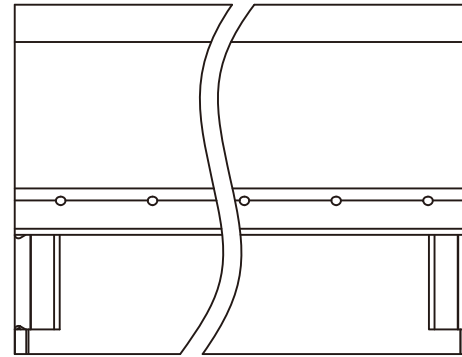


Material

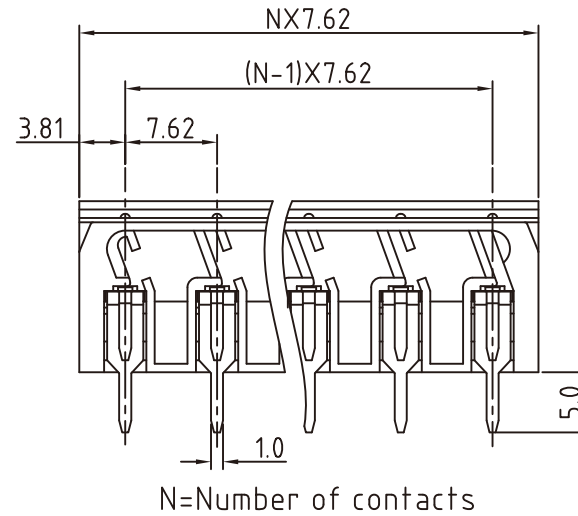
- Terminal body(Contact pin) : Brass with Tin plated
- Insulator (housing): Thermoplastic (UL94V-0)

Electrical cULus

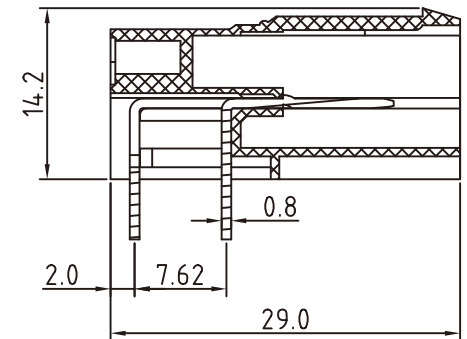
- Voltage rating: 3000V
- Current rating: 20A
- Withstanding Voltage: 1.3KV
- Operating temperature: -30°C to +105°C
- Soldering temperature: 245°C± 10°C/5 Sec



P.C.B LAYOUT



N=Number of contacts



RoHS Compliant

TOLERANCES ARE



煜倫股份有限公司

www.morethanall.com

DRAWING BY CY

CHECKED BY GENIUS

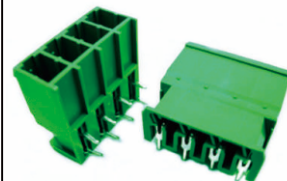
UNIT/ mm SCALE 1:1

DATE

SIZE A4

PJECTION

X. ±
.X ±
.XX ±
.XXX ±
ANG ±



ORDER INFORMATION

TBH076-PRC-xx-LF

SERIES | LEADFREE
02-24WAY
CAGE
DIP 90°
MALE

DESCRIPTION: