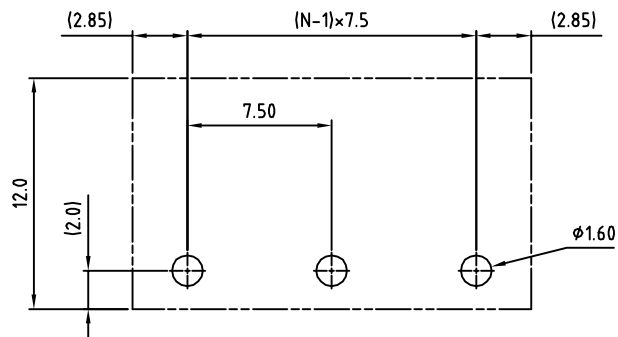


N=Number of contacts



RECOMMENDED PCB LAYOUT

**Material**

- Terminal body
- (contact pin): Brass(CuZn) Tin plated
- Insulator (housing): Thermoplastic (UL94V-0)

**Electrical cULus**

- Voltage rating: 300VAC
- Current rating: 20A
- Wire range:
- Solid wire(AWG):
- Stranded wire(AWG):
- Withstanding Voltage: 1.6KV
- Operating temperature: -30°C to +105°C
- Soldering temperature: 245°C±10°C/5 Sec

**RoHS Compliant**

TOLERANCES ARE



煜倫股份有限公司

www.morethanall.com

DRAWING BY CY

CHECKED BY GENIUS

UNIT / mm SCALE 1 : 1

DATE

SIZE A4

X, ±  
.X ±  
.XX ±  
.XXX ±  
ANG ±

PJECTION

照片框

**ORDER INFORMATION**

TBH075-PR-xx-LF

SERIES | LEADFREE  
02~24WAY  
DIP 90°  
MALE

DESCRIPTION: 7.5mm SERIES 180°