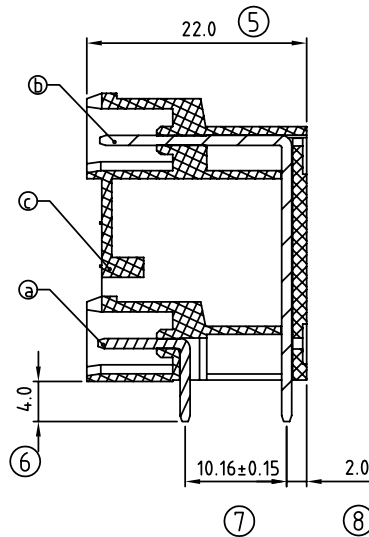


RECOMMENDED PCB LAYOUT



Material:

- Item ① Short male contact pin: Copper Tin plated
- Item ② Long male contact pin: Copper Tin plated
- Item ③ Insulator(housing): Thermoplastic (UL94 V-0)

Electrical:

- cULus
- Voltage rating: 300V
- Current rating: 20A
- Withstanding Voltage: 1.6 KV
- ▲ ● Operating temperature: -40°C to +115°C
- ▲ ● Soldering temperature: 250°C±10°C/5 Sec
- Safety Approval: us

TBH051B1-PRS-xx-LF
02~24WAY LEADFREE
RoHS Compliant

N=NUMBER OF CONTACTS

DIM	TOL				
	2--6P	7--12P	13--18P	19--24P	
Dim L	(N-1)×5.08+7.08	±0.15	±0.25	±0.35	±0.40
Dim B	(N-1)×5.08	±0.15	±0.25	±0.35	±0.40

MORETHANALL
CONNECTORS
ASSEMBLIES

焯倫股份有限公司

PART NO. TBH051B1-PRS-xx

DWG NO. TBH051B1-PRS-xx

FILE NO.

UNIT / mm

SCALE 1:1

CHECKED BY CY

DRAWING BY

PROJECTION

TOLERANCES ARE

.X ± 0.30

.XX ± 0.10

.XXX ±

ANG

DESCRIP TION:

AREA

REVISIONS

HK

DATE