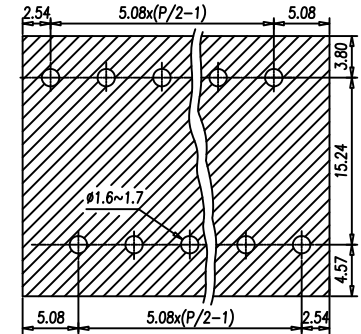
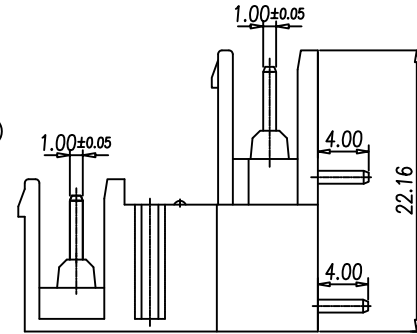
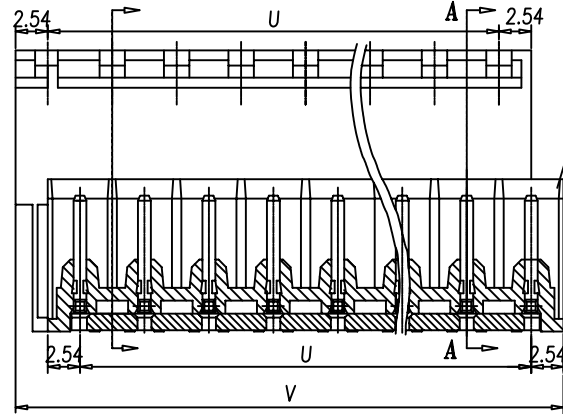
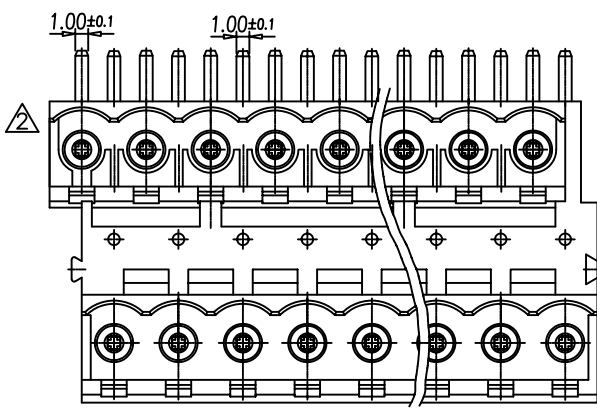
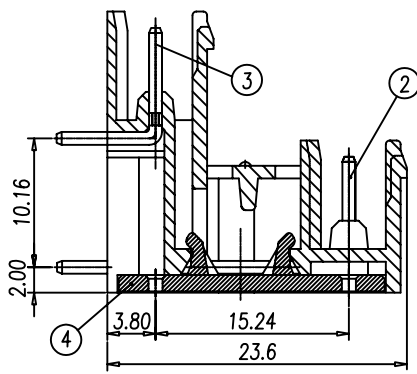


SECTION: A-A



P.C.B. LAYOUT(REF)

- NOTES:
- Rating: 300V  $\Delta$   
1. Rating: ~~250V~~ 15A  $\Delta$   
(IEC 250V 12A)  
PITCH: 5.08mm
  - Insulation Withstands Voltage:  
AC 1500V/MIN
  - Insulation Resistance:  
500M $\Omega$  or more at DC1000V
  - Using Temperature Range:  
-40°C ~ +105°C
  - Undimensioned Tolerances:

-	$\Delta$	$\square$	0.05/10
$\perp$	$\parallel$	$\equiv$	0.2/10
PITCH ERROR			0.05/10
UNDIMENSIONS TOLERANCES			$\pm 0.3$

P	4	6	8	10	12	14	16	18	20	22	24	26
U	5.08	10.16	15.24	20.32	25.40	30.48	35.56	40.64	45.72	50.80	55.88	60.96
V	12.70	17.78	22.86	27.94	33.02	38.10	43.18	48.26	53.34	58.42	63.50	68.58
P	28	30	32	34	36	38	40	42	44	46	48	
U	66.04	71.12	76.20	81.28	86.36	91.44	96.52	101.6	106.68	111.76	116.84	
V	73.66	78.74	83.82	88.90	93.98	99.06	104.14	109.22	114.30	119.38	124.46	

Tolerances for PITCH ERROR

TBH051B1-PRR-xx-LF  
LEADFREE

RoHS Compliant

4	END COVER1		1	PA66(V0)	G001
3	SOLDER PIN2		P/2	COPPER	Tin Plated
2	SOLDER PIN1		P/2	COPPER	Tin Plated
1	HOUSING		1	PA66(V0)	G001
ITEM	NAME OF PART	NO. OF PART	Q'TY	MATERIAL	NOTES

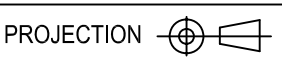


PART NO. TBH051B1-PRR-xx

DWG NO. TBH051B1-PRR-xx CHECKED BY CY

FILE NO. DRAWING BY

UNIT / mm SCALE 1:1



TOLERANCES ARE

- .X  $\pm 0.2$
- .XX  $\pm 0.1$
- .XXX  $\pm$
- AWG

DESCRIP TION:				
AREA	REVISIONS	HK	DATE	

煜倫股份有限公司