


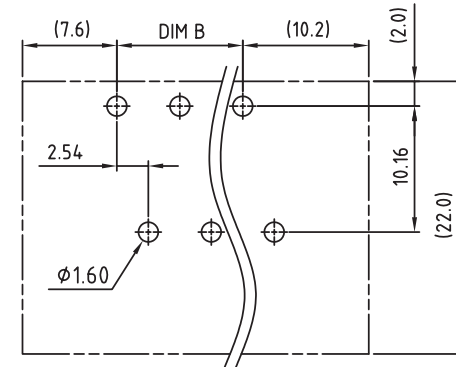
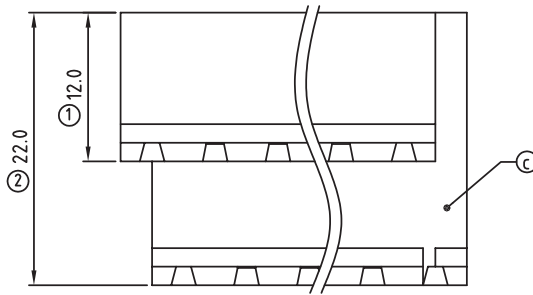
Material

- Item ① Male contact pin: Brass ,Tin plated
- Item ② With flange nut: brass M2.5
- Item ③ Terminal(housing): Thermoplastic (UL94V-0)

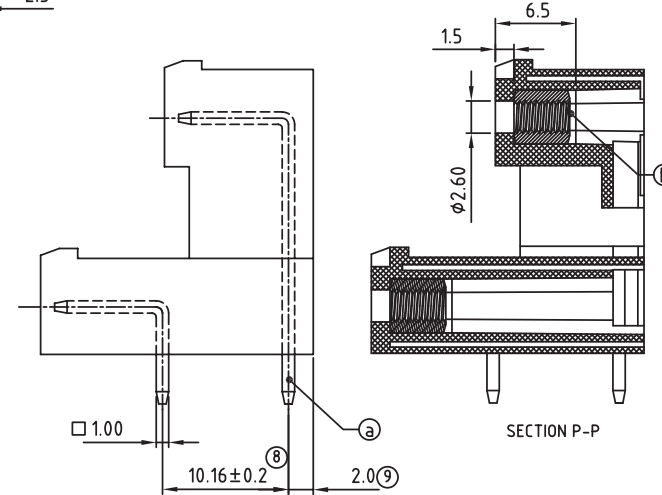
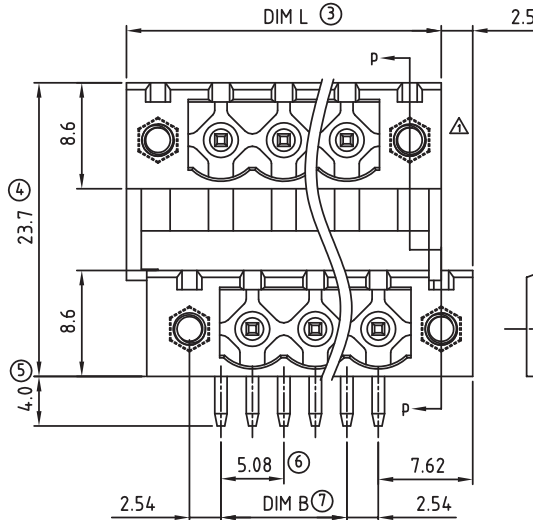
Electrical

- Voltage rating: 300VAC
- ▲ ● Current rating: 10A
- Withstanding Voltage: 1.6KV
- Operating temperature: -40°C to +115°C
- Soldering temperature: 250°C±10°C/5 Sec
- ▲ ● Safety Approval:  us

TBH051B1-PRBRF-xx-LF
LEADFREE
RoHS Compliant



RECOMMENDED PCB LAYOUT



Poles	2×2p	2×3p	2×4p	2×5p	2×6p	2×7p	2×8p	2×9p	2×10p	2×11p	2×12p	2×13p
Dim L	20.32	25.40	30.48	35.56	40.64	45.72	50.80	55.88	60.96	66.04	71.12	76.20
Dim B	5.08	10.16	15.24	20.32	25.40	30.48	35.56	40.64	45.72	50.80	55.88	60.96
TOL	±0.15			±0.20			±0.25					
Poles	2×14p	2×15p	2×16p	2×17p	2×18p	2×19p	2×20p	2×21p	2×22p	2×23p	2×24p	
Dim L	81.28	86.36	91.44	96.52	101.60	106.68	111.76	116.84	121.92	127.00	132.08	
Dim B	66.04	71.12	76.20	81.28	86.36	91.44	96.52	101.60	106.68	111.76	116.84	
TOL	±0.25		±0.30				±0.35					



PART NO. TBH051B1-PRBRF-xx

DWG NO. TBH051B1-PRBRF-xx

FILE NO.

UNIT / mm

SCALE 1:1

CHECKED BY CY

DRAWING BY

PROJECTION



TOLERANCES ARE

- .X ± 0.2
- .XX ±
- .XXX ±
- AWG

DESCRIPTION:

AREA

REVISIONS

HK

DATE

煜倫股份有限公司