

Material:

- Item ① Contact pin: Brass(CuZn) Tin plated
- Item ② Insulator(housing): Thermoplastic (UL94V-0)
- Item ③ With flange nut: Brass ,M2.5

Electrical:

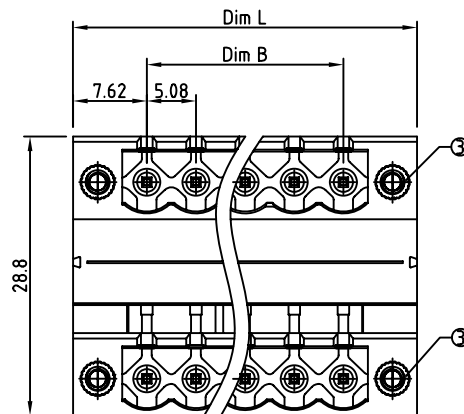
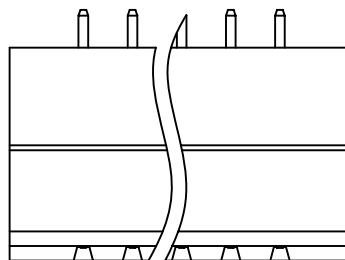
- cULus
- Voltage rating: 300V
 - Current rating: 20A
 - Withstanding Voltage: 1.6 KV
 - Operating temperature: -30°C to +105°C
 - Soldering temperature: 250°C±10°C/5 Sec
 - Safety Approval:



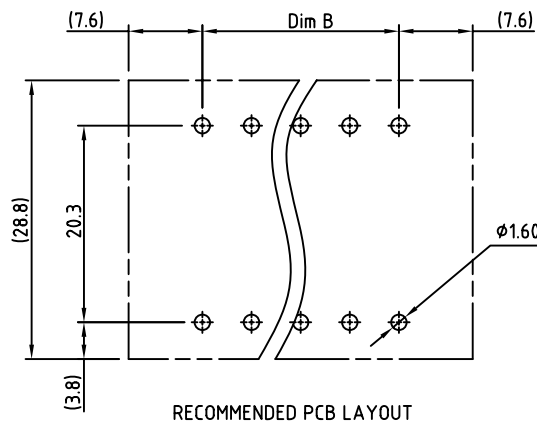
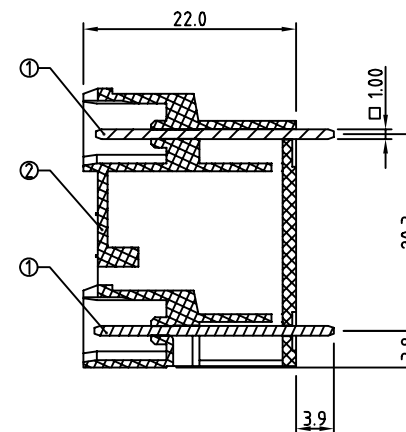
TBH051B1-PDF-xx-LF
LEADFREE

02:02+02WAY
03:03+03WAY

RoHS Compliant



N=NUMBER OF CONTACTS



RECOMMENDED PCB LAYOUT

N=NUMBER OF CONTACTS

DIM	TOL				
	2--6P	7--12P	13--18P	19--24P	
Dim L	(N+2)×5.08	±0.15	±0.25	±0.35	±0.40
Dim B	(N-1)×5.08	±0.15	±0.25	±0.35	±0.40

MORETHANALL
CONNECTORS
ASSEMBLIES

PART NO. TBH051B1-PDF-xx

DWG NO. TBH051B1-PDF-xx

FILE NO.

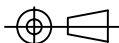
UNIT / mm

SCALE 1:1

CHECKED BY CY

DRAWING BY

PROJECTION



TOLERANCES ARE

.X ± 0.2
.XX ±
.XXX ±
AWG

DESCRIPTION:

AREA

REVISIONS

HK

DATE

焯倫股份有限公司