

## SPECIFICATIONS

### HOUSING

**BODY MATERIAL:** THERMOPLASTIC (UL 94V-0), GREEN

**CLAMP:** NICKEL PLATED PHOSPHOR BRONZE

**WIRE CAGE:** NICKEL PLATED BRASS

**WIRE RANGE AWG:** 12-16 STR.

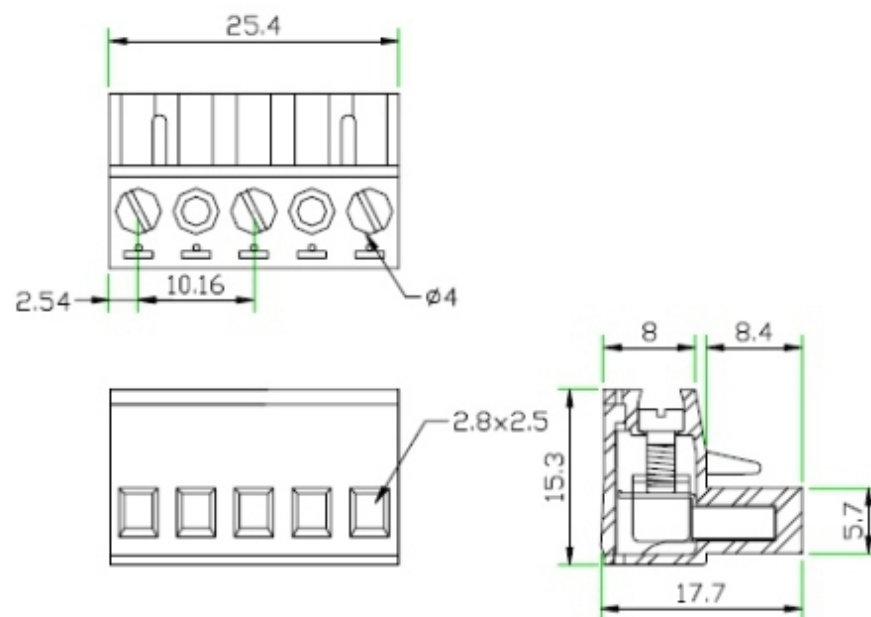
**SCREWS:** ZINC PLATED STEEL

**RATING:** 12 AMPERES, 250VAC

AVAILABLE IN MULTI POLES FROM 2 THRU 24

INSULATION WITHSTANDS VOLTAGE AC 2000V/MIN

INSULATION RESISTANCE 500M $\Omega$  [OR MORE AT DC 500V



RoHS Compliant

TOLERANCES ARE

**MORETHANALL**  
PCB CONNECTORS  
Cable ASSEMBLIES

煜倫股份有限公司

www.morethanall.com

DRAWING BY CY

CHECKED BY GENIUS

UNIT / mm

SCALE 1:1

DATE

SIZE A4

PPOJECTION

X,  $\pm$   
.X  $\pm$   
.XX  $\pm$   
.XXX  $\pm$   
ANG  $\pm$

照片框

ORDER INFORMATION

TBH051-SWEE-03-LF

SERIES

LEADFREE  
03 WAY  
EMPTY EVEN PIN  
SCREW WIRE  
FEMALE

DESCRIPTION: