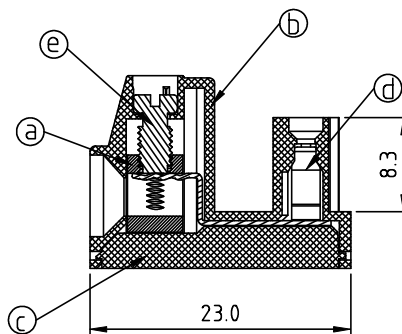
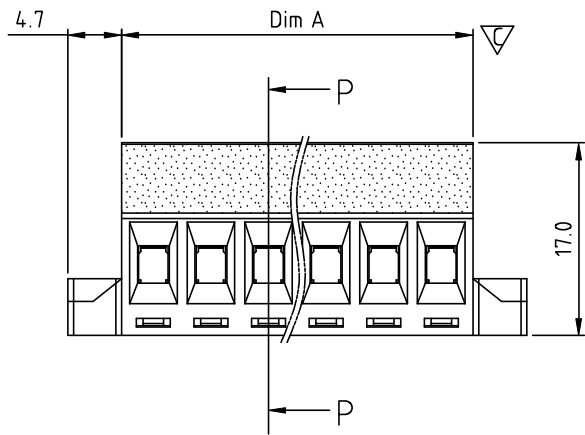
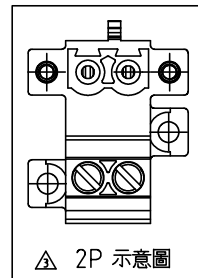


3P-24P卡勾位置示意圖



SECTION P-P

△ Material:

- Item ① Clamp: Brass Ni plated
- Item ② Terminal (housing): Thermoplastic (UL94V-0)
- Item ③ Terminal (Cover): Thermoplastic (UL94V-0)
- Item ④ Male contact: PhBz, Bright Tin plated over Nickel plated
- Item ⑤ Terminal screw: Steel Zinc plating " - " slot type
- Item ⑥ With flange nut: Brass M2.5

Electrical: cULus

- Voltage rating: 300V
- Current rating: 12A
- Wire range:
- Solid wire(AWG):12-30
- Stranded wire(AWG):12-30
- Torque: 5.2 Lb-In.
- Screw: M3
- Wire strip length:6-7 mm
- Withstanding Voltage:1.6KV
- Operating temperature:-40°C to +115°C

△ Safety Approval:

- Critical dimension:

N=Number of poles

Dimension

Dim.A	$(N-1) \times 5.08 + 5.6$
Dim.B	$(N-1) \times 5.08$
Dim.C	$N \times 5.08$

Poles	Tolerance
2P - 6P	± 0.15
7P - 12P	± 0.20
13P - 18P	± 0.30
19P - 24P	± 0.40

RoHS Compliant



煜倫股份有限公司

www.morethanall.com

DRAWING BY CY

CHECKED BY GENIUS

UNIT / mm SCALE 1 : 1

DATE

SIZE A4

TOLERANCES ARE

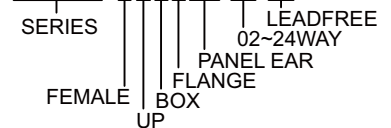
- X, ±
- .X ± 0.50
- .XX ± 0.30
- .XXX ± 0.10
- ANG ±

P PROJECTION

照片框

ORDER INFORMATION

TBH051-SUBFPE-xx-LF



DESCRIPTION: