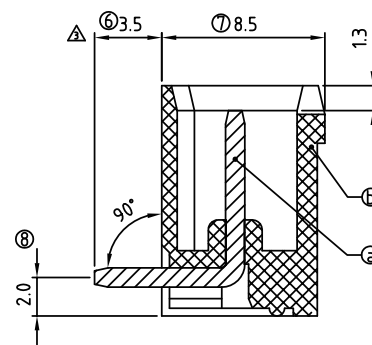
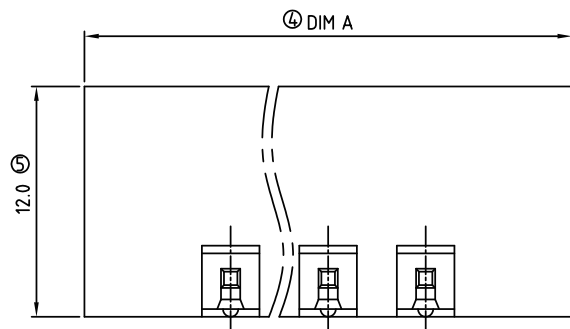
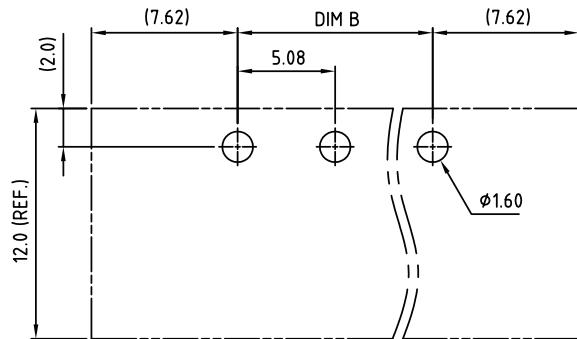


SECTION B-B



SECTION A-A

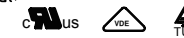


RECOMMENDED PCB LAYOUT

Material:

- △ Item ③ Male contact pin: Copper Tin plated
- Item ④ Terminal (housing): Thermoplastic (UL94V-0)
- Item ⑤ With flange nut: Brass ,M2.5

- △ Electrical: cULus /VDE /TUV
- Voltage rating: 300V/300V/300V
- △ Current rating: 20A/20A/20A
- Withstanding Voltage: 1.6 KV/2.5KV/2.5KV
- Operating temperature: -40°C to +115°C
- △ Soldering temperature: 250°C±10°C/5 Sec
- Safety Approval:



DIMENSION

A	(N+2)×5.08
B	(N-1)×5.08

N= NUMBER OF CONCATS

Poles	Tolerance
2P-6P	±0.15
7P-12P	±0.20
13P-18P	±0.30
19P-24P	±0.40

RoHS Compliant

TOLERANCES ARE



煜倫股份有限公司

www.morethanall.com

DRAWING BY CY

CHECKED BY GENIUS

UNIT/ mm SCALE 1:1

DATE

SIZE A4

X. ± 0.50

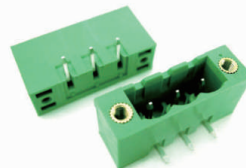
.X ± 0.30

.XX ± 0.10

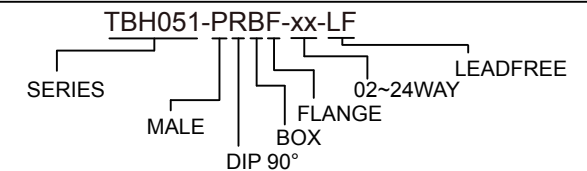
.XXX ±

ANG ±

P PROJECTION



ORDER INFORMATION



DESCRIPTION: