

RECOMMENDED PCB LAYOUT

N = Number of poles
 Dim A = N x 5.08 + 2
 Dim B = (N - 1) x 5.08

	Dim A	Dim B
2-6p	±0.15	±0.15
7-12p	±0.20	±0.20
13-18p	±0.30	±0.30
19-24p	±0.40	±0.40

Material:

- Item ③ Male contact pin: Copper Tin plated
- Item ④ Terminal(housing): Thermoplastic (UL94V-0)

- Electrical: cULus /VDE /TUV
- Voltage rating: 300V/300V/300V
- Current rating: 20A/20A/20A
- Withstanding Voltage: 1.6 KV/2.5KV/2.5KV
- Operating temperature: -40°C to +115°C
- Soldering temperature: 250°C±10°C/5 Sec
- Safety Approval:

RoHS Compliant

MORETHANALL
 PCB CONNECTORS
 Cable ASSEMBLIES

煜倫股份有限公司

www.morethanall.com

DRAWING BY CY

CHECKED BY GENIUS

UNIT/mm
 DATE

SCALE 1:1

SIZE A4

PJECTION

TOLERANCES ARE

X, ± 0.50
 .X ± 0.30
 .XX ± 0.10
 .XXX ±
 ANG ± 1°

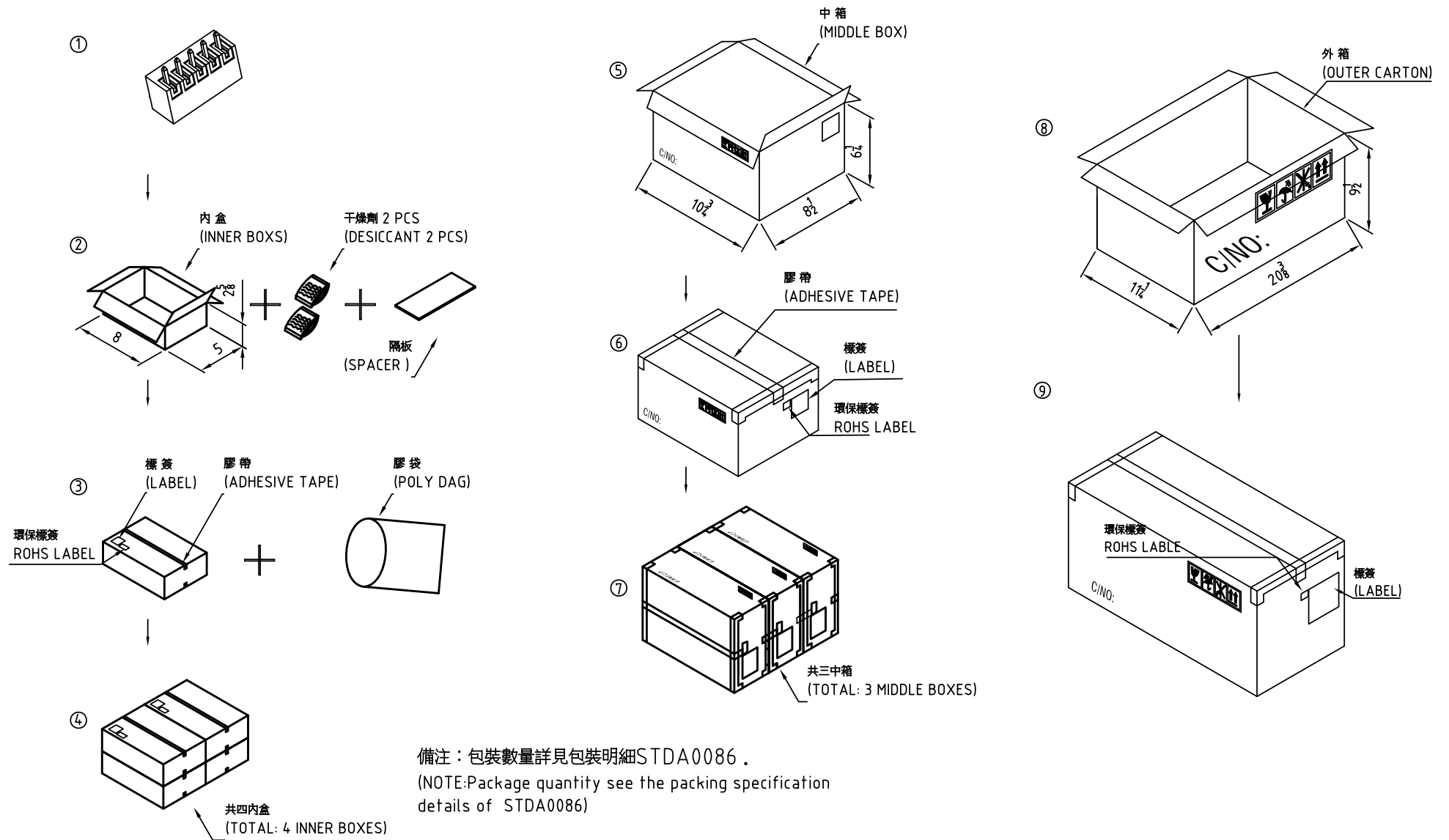


ORDER INFORMATION

TBH051-PDB-xx-LF

SERIES LEADFREE
 02-24WAY
 BOX
 DIP 180°
 MALE

DESCRIPTION:



RoHS Compliant

TOLERANCES ARE

MORETHANALL
PCB CONNECTORS
Cable ASSEMBLIES

煜倫股份有限公司

www.morethanall.com

DRAWING BY CY

CHECKED BY GENIUS

UNIT / mm SCALE 1 : 1

DATE

SIZE A4

X, ±

.X ±

.XX ±

.XXX ±

ANG ±

PPOJECTION

照片框

ORDER INFORMATION

TBH051-PDB-xx-LF

SERIES LEADFREE
02~24WAY
BOX
DIP 180°
MALE

DESCRIPTION: