

Technical Data:

Material:

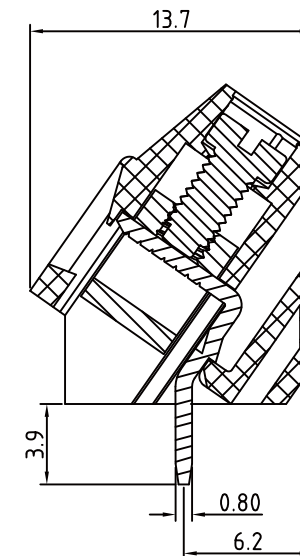
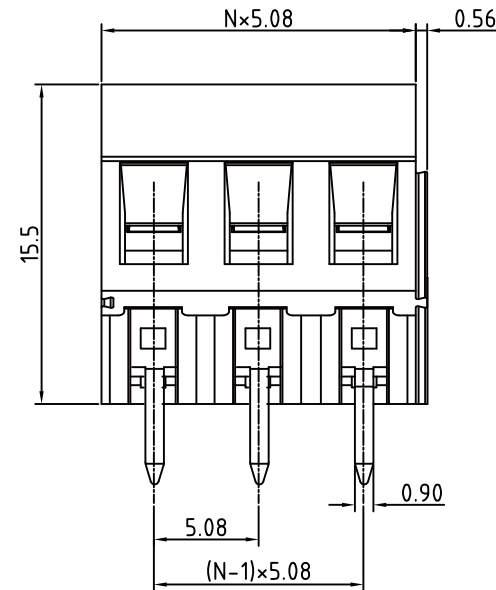
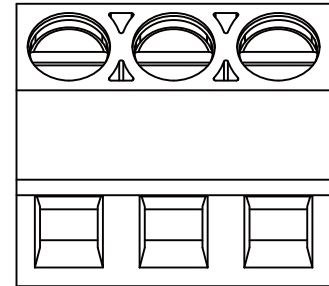
- o Contact(metal housing): Brass Machined(Option)
- o Terminal screw: Steel galvanized and chromate
- o Solder Pin: Brass with Tin plated
- o Insulator body(housing): Polyamide(Glass filled)(UL94V-0)

Electrical

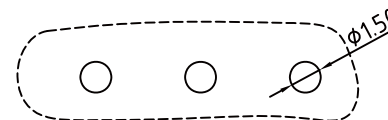
- o Voltage rating: 300VAC
- o Current rating: 10 Amps/way max
- o Contact resistance: 20mΩ(max)
- o Insulation resistance: 5000MΩ/1000V
- o Withstanding Voltage: 1500VAC(1min) Test time=60sec/1pcs
- o Wire range: 12-24AWG

Mechanical:

- o Torque: 4kgf.cm/M2.5
- o Operating temperature: -33°C to +120°C
- o Soldering reliability:
  - Test temperature= 250°C±10°C
  - 5 seconds max



N=Number of contacts  
P.C.B LAYLON



RoHS Compliant

TOLERANCES ARE

**MORETHANALL**  
PCB CONNECTORS  
Cable ASSEMBLIES

DRAWING BY CY

X, ±  
.X ± 0.30

CHECKED BY GENIUS

.XX ± 0.10

UNIT / mm

SCALE 1 : 1

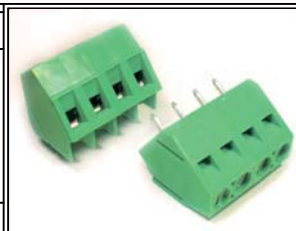
.XXX ±

ANG ±

DATE

SIZE A4

PPOJECTION



ORDER INFORMATION

TBH051-A15-xx-LF

SERIES

LEADFREE

02~24WAY

HIGH 15.5mm

SLANT DIP

煜倫股份有限公司

www.morethanall.com

DESCRIPTION: 5.08mm 12-24 PIN BLACK TYPE