

P	4	6	8	10	12	14	16	18	20	22	24	26	28
U	5	10	15	20	25	30	35	40	45	50	55	60	65
V	14.5	19.5	24.5	29.5	34.5	39.5	44.5	49.5	54.5	59.5	64.5	69.5	74.5
P	30	32	34	36	38	40	42	44	46	48	50	52	
U	70	75	80	85	90	95	100	105	110	115	120	125	
V	79.5	84.5	89.5	94.5	99.5	104.5	109.5	114.5	119.5	124.5	129.5	134.5	

Tolerances for PITCH ERROR

NOTES:

- Rating: 300V 15A
PITCH: 5.00mm
- Insulation Withstands Voltage:
AC 1500V at 1 minute
- Insulation Resistance:
500MΩ or more at DC1000V
- Using Temperature Range:
-40°C~+105°C
- Undimensioned Tolerances:

—	∩	∇	0.05/10
⊥	//	≡	0.2/10
PITCH ERROR			0.05/10
UNDIMENSIONED TOLERANCES			±0.3

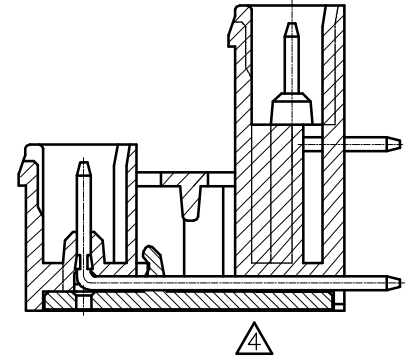
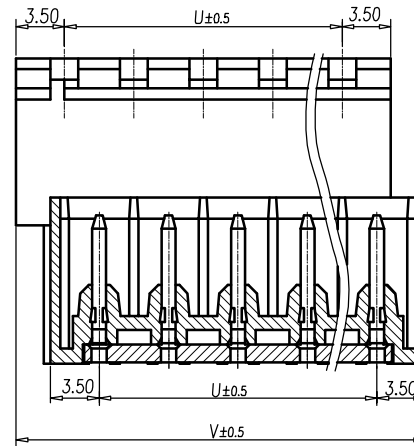
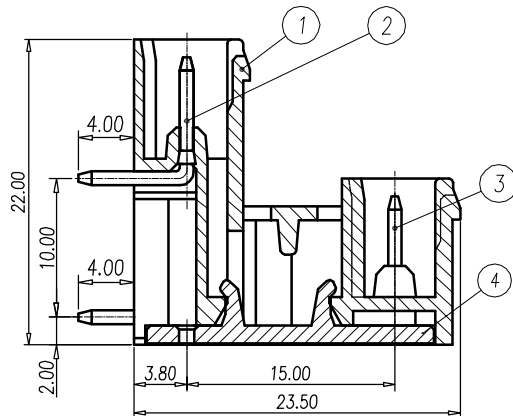
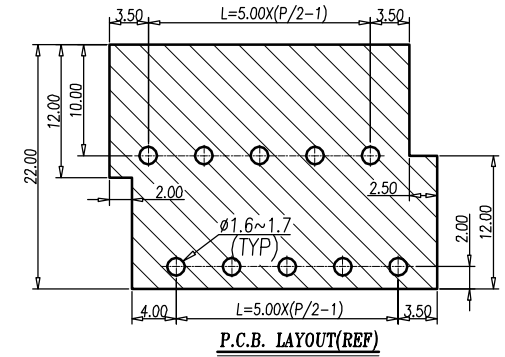
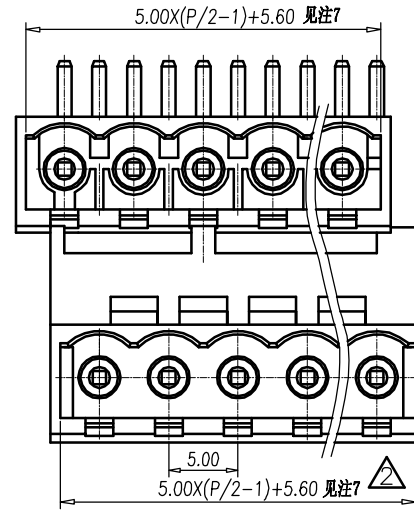
6. ≤24P) 0120T6XX00 直接組裝
>24P 按下表方式併接組裝

	P	26	28	30	32	34	36	38
組裝方式	0120U3XX00+0120W0XX00	12P	14P	14P	16P	16P	18P	18P
	0120U6XX00+0120W0XX00	14P	14P	16P	16P	18P	18P	20P
	P	40	42	44	46	48	50	52
組裝方式	0120U3XX00+0120W0XX00	20P	20P	22P	22P	24P	24P	26P
	0120U6XX00+0120W0XX00	20P	22P	22P	24P	24P	26P	26P

7. 尺寸公差見下表

2~6P	7~15P	16~24P	4~12P	14~30P	32~52P
+0.15 -0	+0.25 -0	+0.35 -0	+0.15 -0	+0.25 -0	+0.35 -0

8. RoHS compliance



4	END COVER1	NOTE6	1	PA66	GREEN
3	SOLDER PIN2	NOTE6 0121B03000 0121B00100(成品)	P/2	COPPER	Tin Plated
2	SOLDER PIN1	0020B00600	P/2	COPPER	Tin Plated
1	HOUSING	NOTE6	1	PA66	GREEN
ITEM	NAME OF PART	NO. OF PART	QTY	MATERIAL	NOTES

MORETHANALL
CONNECTORS
ASSEMBLIES

PART NO. TBH050B1-PRB08R-xx

DWG NO. TBH050B1-PRB08R-xx

FILE NO.

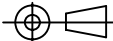
UNIT / mm

SCALE 1:1

CHECKED BY CY

DRAWING BY

PROJECTION



TOLERANCES ARE

.X ± 0.2
.XX ±
.XXX ±
AWG

DESCRIPTION:

AREA

REVISIONS

HK

DATE

煜倫股份有限公司