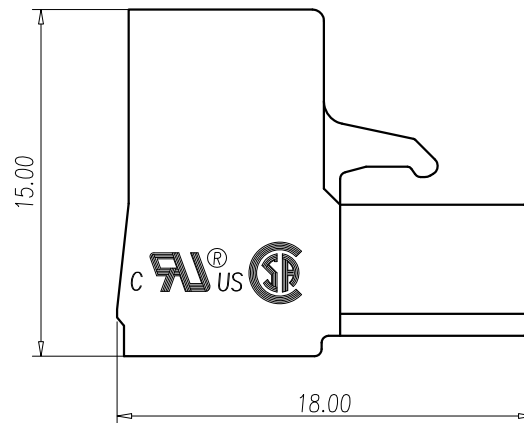


P	2	3	4	5	6	7	8	9
U	5.00	10.00	15.00	20.00	25.00	30.00	35.00	40.00
V	10.00	15.00	20.00	25.00	30.00	35.00	40.00	45.00
P	10	11	12	13	14	15	16	17
U	45.00	50.00	55.00	60.00	65.00	70.00	75.00	80.00
V	50.00	55.00	60.00	65.00	70.00	75.00	80.00	85.00
P	18	19	20	21	22	23	24	
U	85.00	90.00	95.00	100.00	105.00	110.00	115.00	
V	90.00	95.00	100.00	105.00	110.00	115.00	120.00	

Total Pitch Tolerances		Normal Dimension Tolerances	
0~30	±0.20	0~30	±0.25
over 30~53	±0.25	over 30~53	±0.30
over 53~70	±0.30	over 53~70	±0.35
over 70~90	±0.35	over 70~90	±0.44
over 90~115	±0.44	over 90~115	±0.55
over 115~150	±0.55	over 115~150	±0.70
over 150~200	±0.70	over 150~200	±0.85
over 200~250	±0.85	over 200~250	±1.00
over 250~320	±1.00	over 250~320	±1.20



NOTES 1:

UL Standard :

1. Rating: 300V 15A
2. Insulation Withstands Voltage: AC 2000V at 1 minute
3. Using Temperature Range: -40°C~+115°C
4. Screw Torque Value: 0.5N·m
5. Suitable Electric Wire: AWG 28~12(sol)
30~12(str)

IEC Standard:

1. Rating: 600V 18A
2. Rate Impulse Voltage: 4000V
3. Insulation Resistance: 500MΩ or more at DC500V
4. Material Group : I
5. Pollution Degree : 2
6. Overvoltage Category: II
7. Using Temperature Range: -40°C~+110°C
8. Screw Torque Value: 0.4N·m
9. Suitable Electric Wire: 0.2~2.5mm²

NOTES 2:

1. RoHS compliance
2. Strip Length: 7~8mm

ITEM	NAME OF PART	MATERIAL	NOTES
5	SCREW	STEEL	M2.5/Zn Plated
4	WIRE CAGE	STEEL	Zn Plated
3	CLAMP	COPPER ALLOY	Tin Plated
2	COVER	PA66	UL94-V0 GREEN
1	HOUSING	PA66	UL94-V0 GREEN

RoHS Compliant

TOLERANCES ARE

MORETHANALL
PCB CONNECTORS
Cable ASSEMBLIES

DRAWING BY CY

CHECKED BY GENIUS

UNIT / mm SCALE 1 : 1

DATE

SIZE A4

X, ±
.X ±
.XX ±
.XXX ±
ANG ±

P PROJECTION

照片框

ORDER INFORMATION

TBH050-SW-xx-LF

SERIES | LEADFREE
| 02~24WAY
| SCREW 90°
| FEMALE

煜倫股份有限公司

www.morethanall.com

DESCRIPTION: