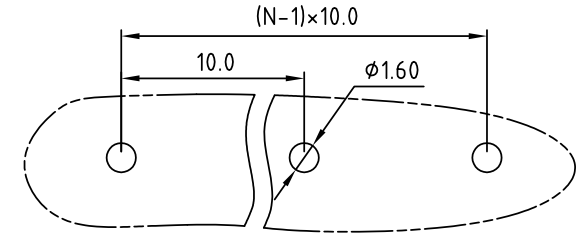
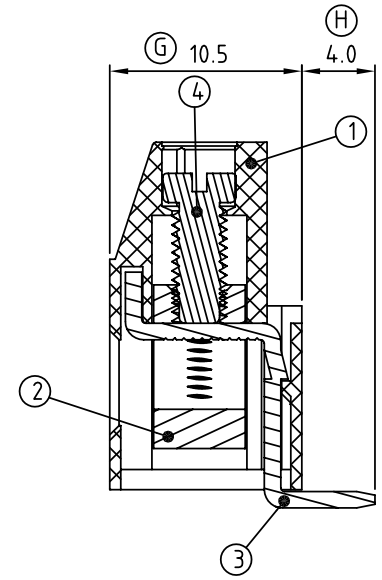
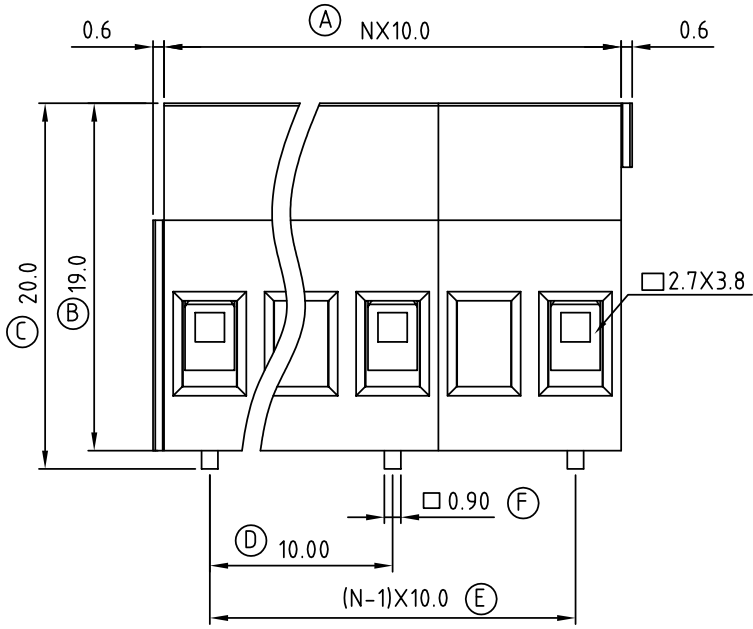


N = Number of poles  
 Dim A = N x 10.0  
 Dim B = (N - 1) x 10.0

	Dim A	Dim B
2-5p	±0.25	±0.20
6-9p	±0.35	±0.30
10-12p	±0.45	±0.40

- Material:
- Item 1 Insulator(housing):Thermoplastic (UL 94V-0)
  - Item 2 Metal housing: Brass
  - Item 3 Contacts:Brass
  - Item 4 Terminal screw: Steel Zinc plating"-slot type

- Electrical
- Voltage rating: 300VAC
  - Current rating: 20A
  - Solid wire(AWG): 12-30
  - Stranded wire(AWG): 12-30
  - Torque(Lb-In): 3.5
  - Screw: M3
  - Wire strip length: 6-7mm
  - Withstanding Voltage: 1.6KV
  - Operating temperature: -40°C to +115°C
  - Soldering temperature: 250°C±10°C/5 Sec
  - Safety Approval: ( c )us Pending



P.C.B LAYOUT

N=Number of contacts

TBH050-R19EE-xx-LF  
 02-12WAY LEADFREE

RoHS Compliant



煜倫股份有限公司

PART NO. TBH050- R19EE -xx		CHECKED BY CY		TOLERANCES ARE .X ± .XX ± .XXX ± AWG	DESCRIP TION:			
DWG NO. TBH050- R19EE -xx		DRAWING BY						
FILE NO.		PROJECTION		AREA	REVISIONS	HK	DATE	