

Technical Data:

Material:

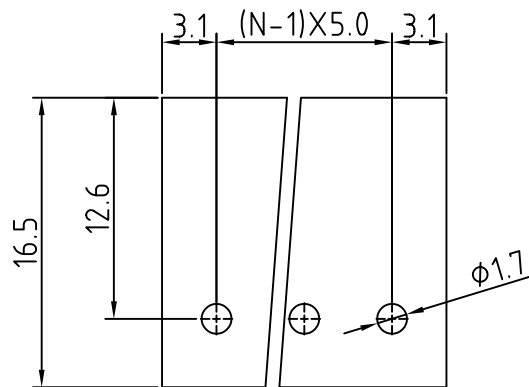
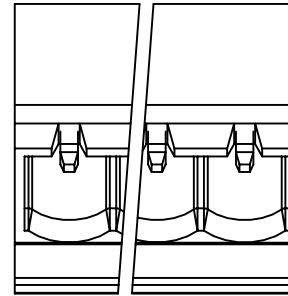
- Solder Pin: Brass with Tin plated
- Insulator body(housing): Polyamide(Glass filled)(UL94V-0)

Electrical

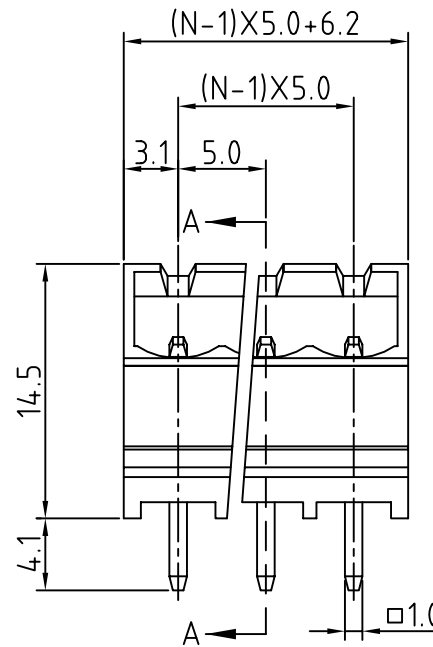
- Voltage rating: 250VAC
- Current rating: 15A
- Insulation resistance: 500MΩ at DC 500V
- Withstanding Voltage: AC 1500V(1min)

Mechanical:

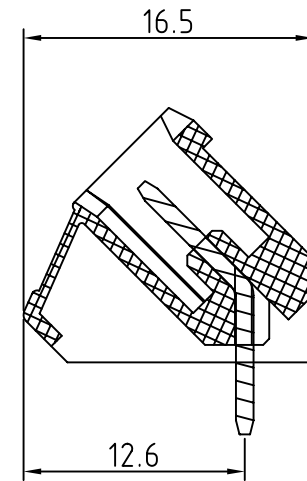
- Using temperature Range: -40°C to +105°C
- Soldering temperature: +250°, 5seconds Max.



P.C.B LAYOUT



N=Number of contacts



SECTION A-A



煜倫有限公司

PART NO. TBH050-PAB-xx

DWG NO. TBH050-PAB-xx

FILE NO.

UNIT / mm

SCALE 1:1

CHECKED BY CY

DRAWING BY

PROJECTION

TOLERANCES ARE

.X ± 0.3
.XX ± 0.1
.XXX ±
AWG

DESCRIPTION:

5.00mm 45° Series (Close)

AREA

REVISIONS

HK

DATE