

Dimension

Dim A	Nx5.0
Dim B	(N-1)x5.0

N=Number of contacts

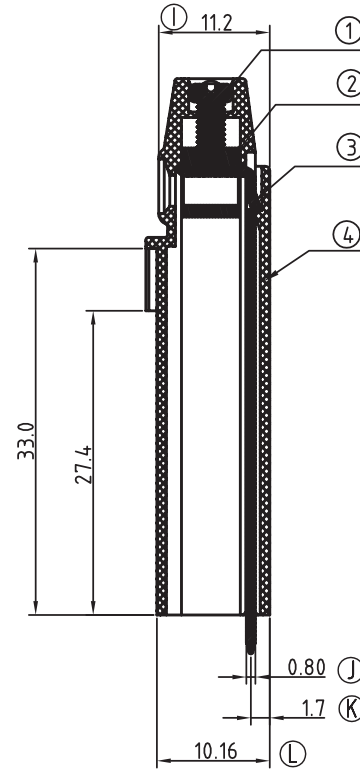
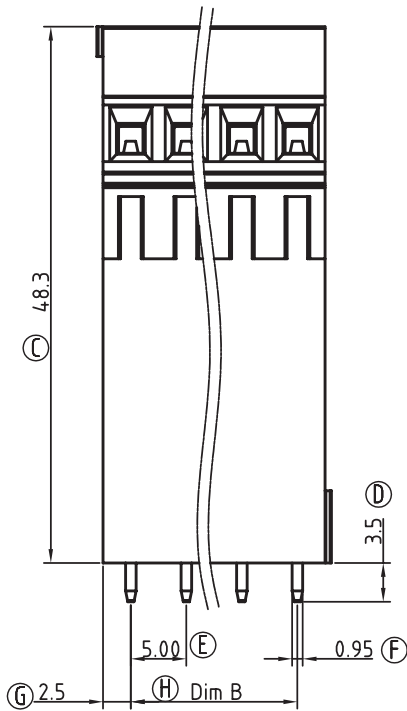
Poles	Dim A	Dim B
2-6p	±0.15	±0.15
7-12p	±0.25	±0.25
13-18p	±0.35	±0.35
19-24p	±0.40	±0.40

Material

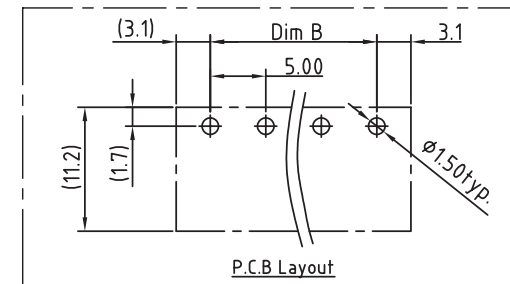
- Item① Terminal screw: Steel Zinc plating "-" slot type
- Item② Clamp : Brass , Ni plating
- Item③ Wire guard solder pin : Brass,Tin plated
- Item④ Terminal housing : PA 66 (UL94V-0)

Electrical

- Voltage rating: 300VAC
- Current rating: 10A
- Wire range:
- Solid wire(AWG): 12-24
- Stranded wire(AWG): 12-24
- Torque(Lb-In): 3.5
- Screw: M2.5
- Wire strip length: 6-7mm
- Withstanding Voltage: 1.6KV
- Operating temperature: -40°C to +115°C
- Soldering temperature: 250°C±10°C/5 Sec



SECTION A-A



RoHS Compliant

TOLERANCES ARE

MORETHANALL
PCB CONNECTORS
Cable ASSEMBLIES

DRAWING BY CY

CHECKED BY GENIUS

UNIT/ mm

SCALE 1:1

DATE

SIZE A4

X. ±
.X ±
.XX ±
.XXX ±
ANG ±

PPOJECTION



ORDER INFORMATION

TBH050-D48-xx-LF

SERIES

02~24WAY
HIGH 48.3mm

LEADFREE

DIP180°

DESCRIPTION:

煜倫股份有限公司

www.morethanall.com