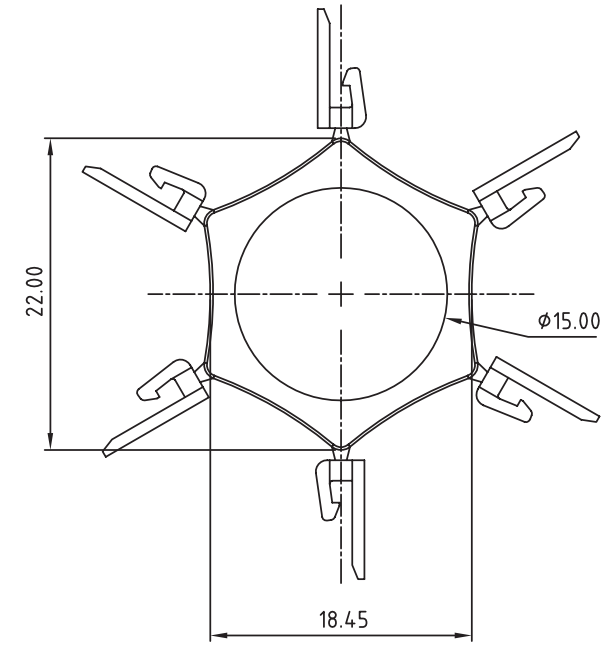
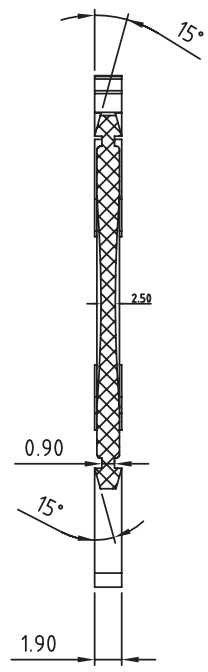
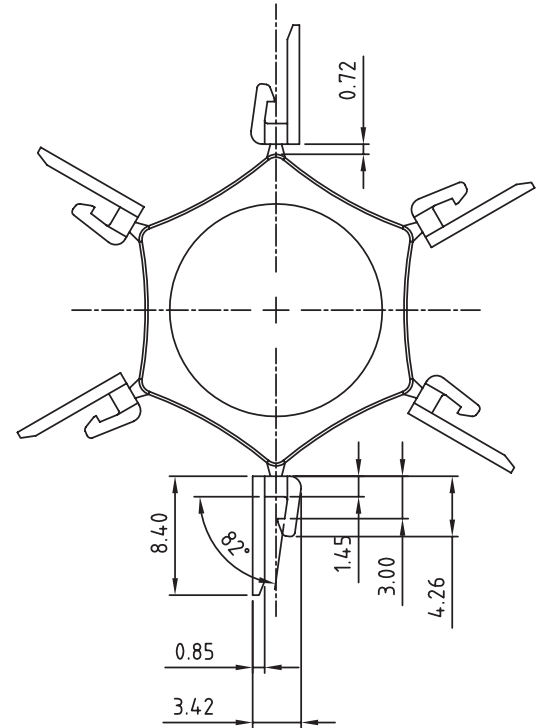
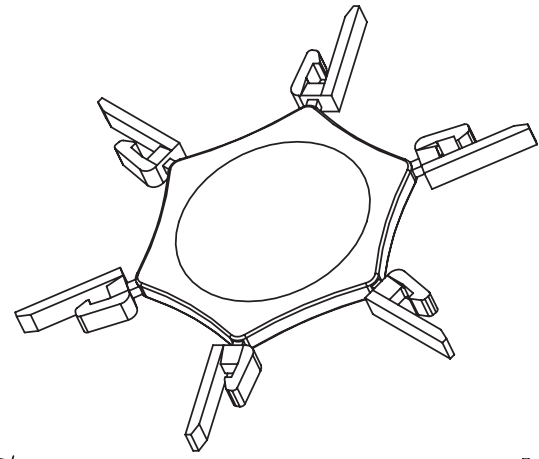


Material

● Insulator (housing): Thermoplastic (UL94V-0)

TBH050-CKRD-8.4-LF  
LEADFREE  
RoHS Compliant



**MORETHANALL**  
CONNECTORS  
ASSEMBLIES

PART NO. TBH050-CKRD-8.4

DWG NO. TBH050-CKRD-8.4

FILE NO.

CHECKED BY CY

DRAWING BY

TOLERANCES ARE

.X ± 0.2  
.XX ±  
.XXX ±  
AWG

DESCRIPTION:

焯倫股份有限公司

UNIT / mm

SCALE 1:1

PROJECTION

AREA

REVISIONS

HK

DATE