

Technical Data:

Material:

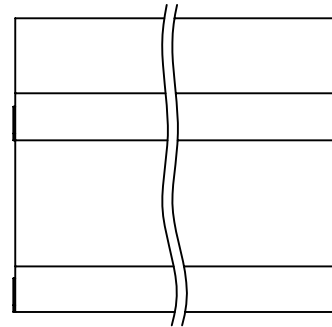
- Solder Pin: Brass with Tin plated
- Insulator body(housing): Polyamide(Glass filled)(UL94V-0)

Electrical

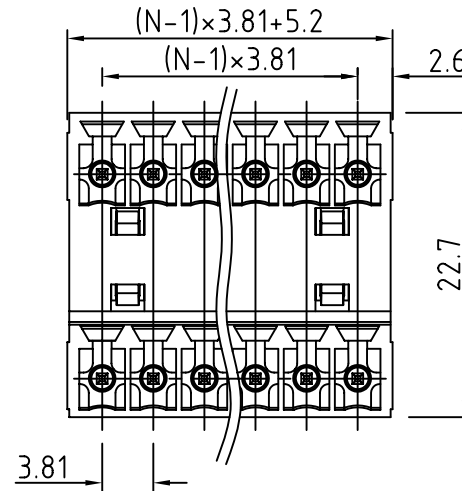
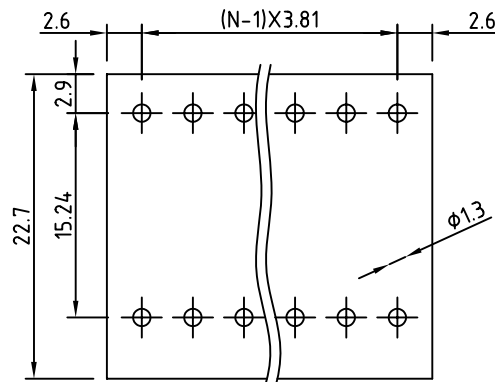
- Voltage rating: 300VAC
- Current rating: 8A
- Insulation resistance: 500MΩ at DC 500V
- Withstanding Voltage: AC1500V(1min)

Mechanical:

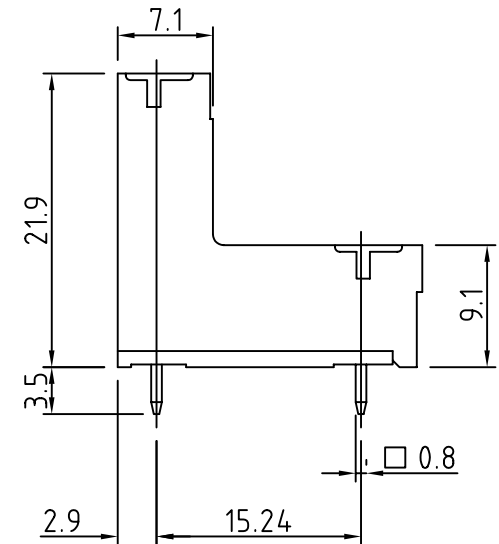
- Using temperature Range: -30°C to +105°C
- Soldering temperature: +250°, 5seconds Max.



P.C.B LAYOUT



N=Number of contacts



RoHS Compliant

TOLERANCES ARE



煜倫股份有限公司

www.morethanall.com

DRAWING BY CY

CHECKED BY GENIUS

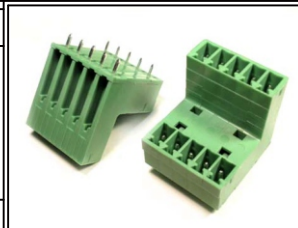
UNIT / mm SCALE 1 : 1

DATE

SIZE A4

P PROJECTION

X, ±
.X ±
.XX ±
.XXX ±
ANG ±



ORDER INFORMATION

TBH038L1-PD06-xx-LF

SERIES

LEADFREE
04:04PIN PER ROW
36:36PIN PER ROW
MALE 15.24mm
DIP 180°

DESCRIPTION: