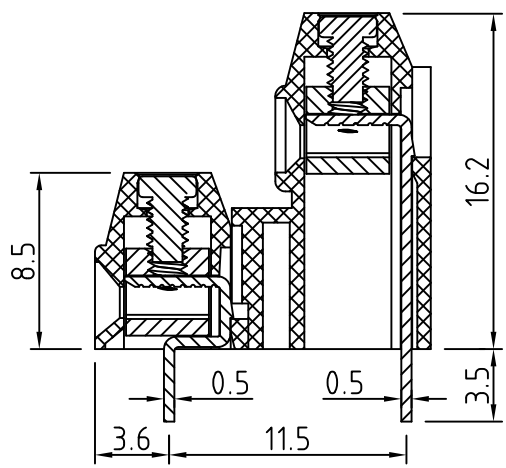
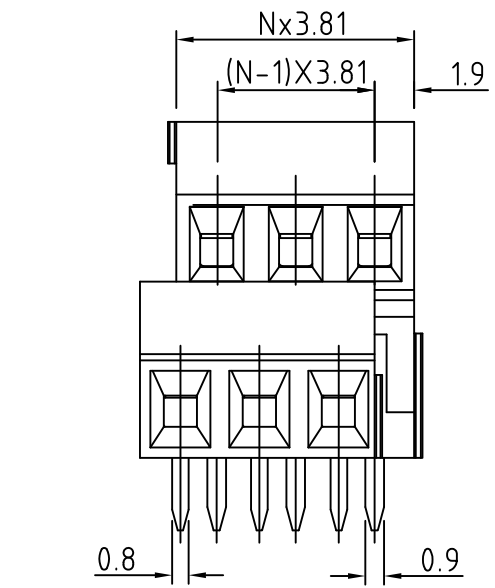
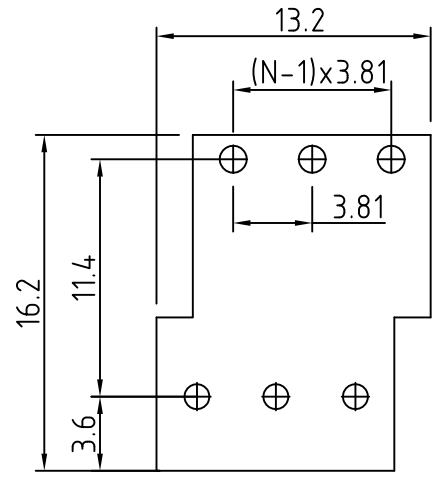


P.C.B. LAYOUT



- Technical Data:
- Material:
- Contact(metal housing): Brass Machined(option)
  - Terminal screw: Steel galvanized and achromatized
  - Solder Pin: Brass with Tin plated
  - Insulator body(housing): Polyamide(Glass filled)(UL94V-0)
- Electrical
- Voltage rating: 150VAC
  - Current rating: 6 Amps/way max
  - Contact resistance: 20mΩ (max)
  - Insulation resistance: 5000MΩ /1000V
  - Withstanding Voltage: 1500VAC(1min) Test time=60sec/1pcs
  - Wire range: 16-24AWG
- Mechanical:
- Torque: 2kg-cm/M2
  - Operating temperature: -33°C to +120°C
  - Soldering reliability:  
Test temperature= 250°C±10°C  
5 seconds max

TBH038B1-D08L-xx-LF  
LEADFREE

RoHS Compliant

	PART NO. TBH038B1-D08L-xx		TOLERANCES ARE .X ± 0.2 .XX ± .XXX ± AWG	DESCRIP TION:				
	DWG NO. TBH038B1-D08L-xx							CHECKED BY CY
焯倫股份有限公司	FILE NO.		DRAWING BY		AREA	REVISIONS	HK	DATE
	UNIT / mm	SCALE 1:1	PROJECTION					