

Technical Data:

Material:

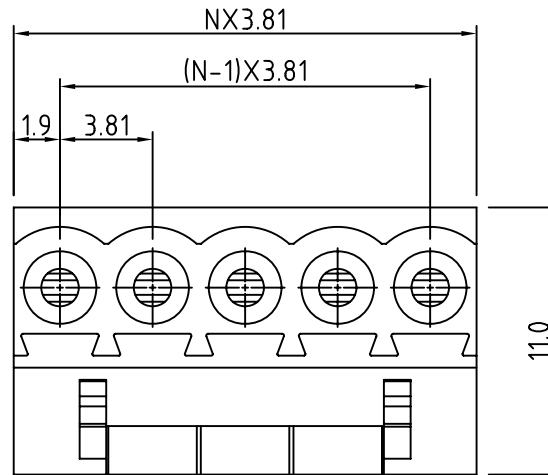
- Contact(metal housing): Brass Machined(Option)
- Terminal screw: Steel Galvanized and chromitized
- Wire guard: PhBZ,Tin plated.
- Insulator body(housing): Polyamide(Glass filled)(UL94V-0)

Electrical

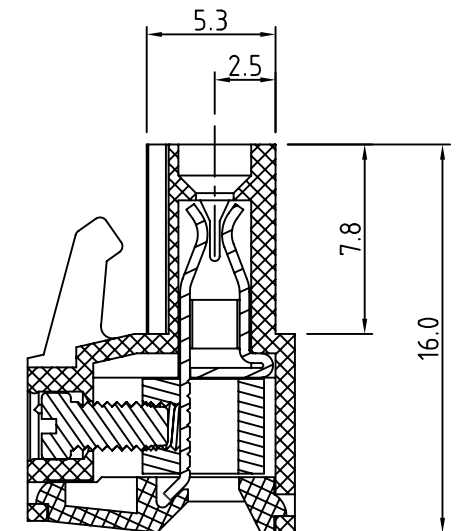
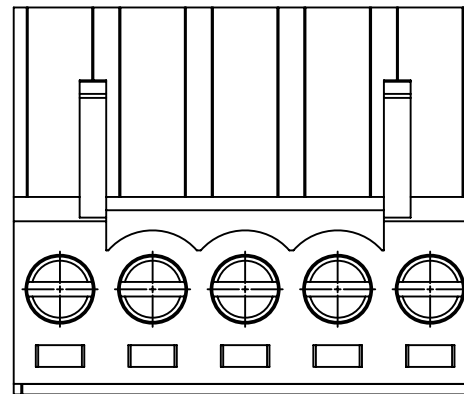
- Voltage rating: 300VAC
- Current rating: 8Amps/way max
- Contact resistance: 20mΩ(max)
- Insulation resistance: 5000MΩ/1000V
- Withstanding Voltage: 1500VAC(1min) Test time=60sec/1pcs
- Wire range: 16-28AWG

Mechanical:

- Torque: 2kgf.cm/M2
- Operating temperature: -30°C to +105°C



N=Number of contacts.



RoHS Compliant

TOLERANCES ARE

**MORETHANALL**  
PCB CONNECTORS  
Cable ASSEMBLIES

煜倫股份有限公司

www.morethanall.com

DRAWING BY CY

CHECKED BY GENIUS

UNIT / mm

SCALE 1 : 1

DATE

SIZE A4

PJECTION

X. ±  
.X ±  
.XX ±  
.XXX ±  
ANG ±



ORDER INFORMATION

TBH038-SW-xx-LF

SERIES

LEADFREE

02~24WAY

SCREW 90°

FEMALE

DESCRIPTION: