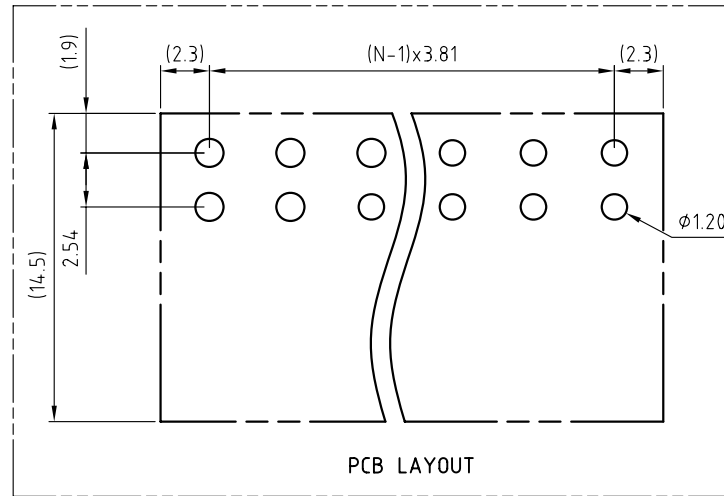


2P to 6P with wedge,
above 7P without wedge.



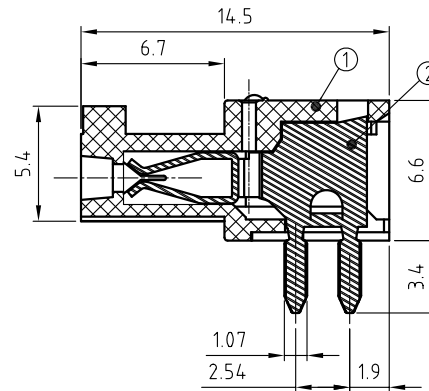
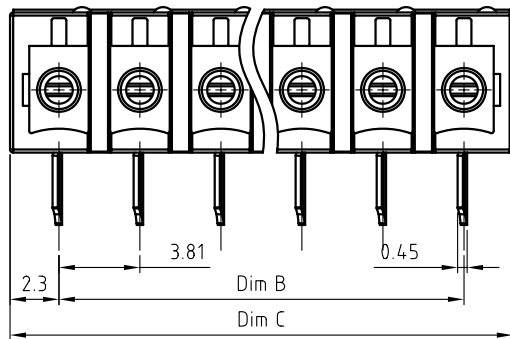
Materials

Item 1 insulating body
Item 2 Wire guard

Thermoplastic (UL94V-0)
PhBz(CuSn), Tin plated

Electrical

- Voltage rating: 300VAC
- Current rating: 8A
- Withstanding Voltage: 1.6kv
- Operating temperature: -30°C to +105°C
- Soldering temperature: 250°C±10°C/5 Sec



Poles	02	03	04	05	06	07	08	09	10	11	12	13
Dim A	6.61	10.42	14.23	18.04	21.85	25.66	29.47	33.28	37.09	40.9	44.71	48.52
Dim B	3.81	7.62	11.43	15.24	19.05	22.86	26.67	30.48	34.29	38.1	41.91	45.72
Dim C	8.41	12.22	16.03	19.84	23.65	27.46	31.27	35.08	38.89	42.7	46.51	50.32
TOL			±0.10				±0.15				±0.20	
Poles	14	15	16	17	18	19	20	21	22	23	24	
Dim A	52.33	56.14	59.95	63.76	67.57	71.38	75.19	79.0	82.81	86.62	90.43	
Dim B	49.53	53.34	57.15	60.96	64.77	68.58	72.39	76.2	80.01	83.82	87.63	
Dim C	54.13	57.94	61.75	65.56	69.37	73.18	76.99	80.8	84.61	88.42	92.23	
TOL	±0.20				±0.25					±0.30		

RoHS Compliant

TOLERANCES ARE

MORETHANALL
PCB CONNECTORS
Cable ASSEMBLIES

DRAWING BY CY

CHECKED BY GENIUS

UNIT / mm

SCALE 1 : 1

DATE

SIZE A4

X. ±
.X ±
.XX ±
.XXX ±
ANG ±

PJECTION

照片框

ORDER INFORMATION

TBH038-SRC-xx-LF

SERIES | LEADFREE
02-24WAY
CAGE
DIP 90°
FEMALE

煜倫股份有限公司

www.morethanall.com

DESCRIPTION: