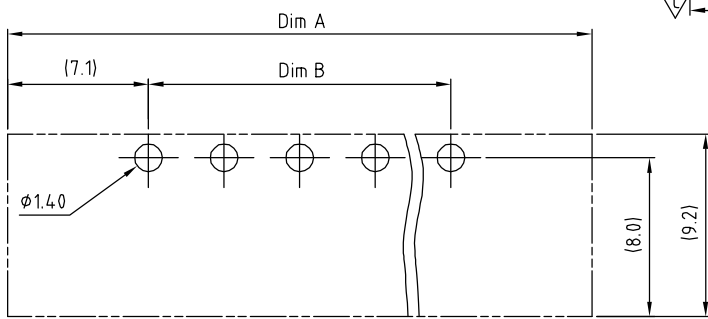
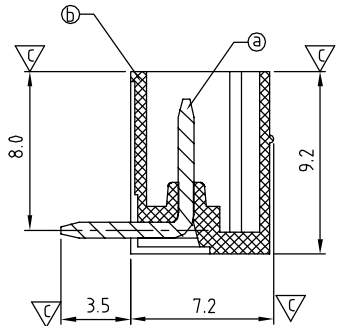
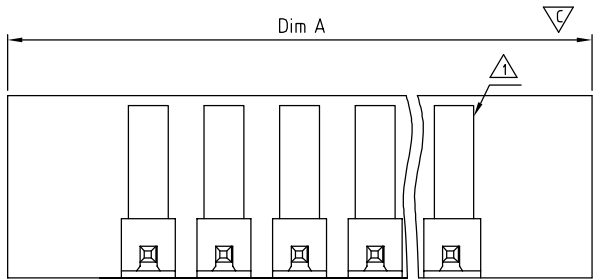


- Material:
- ① Item ③ Male contact pin: Copper C1100 Tin plated
 - ② Item ⑤ Terminalhousing: Thermoplastic (UL94V-0)
 - ③ Item ⑥ With flange nut: Brass M2.5
- Electrical: cULus /VDE
- ④ Voltage rating: 300V/300V
 - ⑤ Current rating: 10A/10.5A
 - ⑥ Withstanding Voltage: 1.6 KV/2.5KV
 - ⑦ Operating temperature: -40°C to +115°C
 - ⑧ Soldering temperature: 250°C±10°C/5 Sec
 - ⑨ Safety Approval:
 - ⑩ Critical dimension:



SEC Q-Q

N= number of poles

Dim A	(N-1)×3.81+14.2
Dim B	(N-1)×3.81
Dim C	(N-1)×3.81
Dim D	(N-1)×3.81+9.0

2p-6p	±0.15
7p-12p	±0.20
13p-16p	±0.25
17p-24p	±0.30

RECOMMENDED PCB LAYOUT

RoHS Compliant

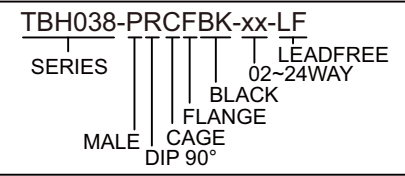
TOLERANCES ARE

MORETHANALL
PCB CONNECTORS
Cable ASSEMBLIES
煜倫股份有限公司
www.morethanall.com

DRAWING BY CY		X. ± 0.50
CHECKED BY GENIUS		.X ± 0.30
UNIT / mm	SCALE 1 : 1	.XXX ±
DATE		ANG ± 1°
SIZE A4	PJECTION	



ORDER INFORMATION



DESCRIPTION: 3.81mm 90° W/Flange Series 2p-24p