

Technical Data:

Material:

- Solder Pin: Brass with Tin plated
- Insulator body(housing): Polyamide(Glass filled)(UL94V-0)

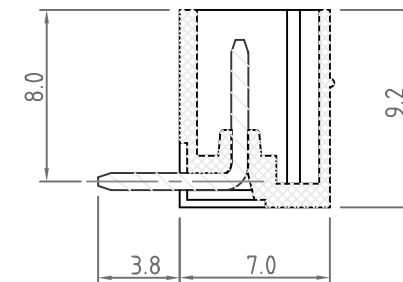
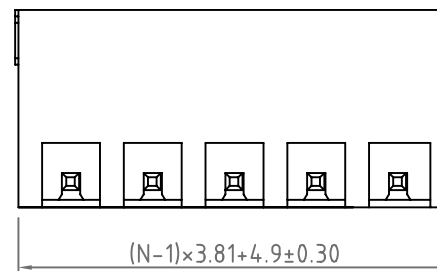
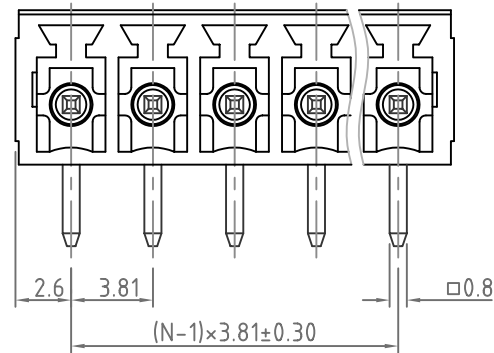
Electrical

- Voltage rating: 125VAC
- Current rating: 8A
- Insulation resistance: 500MΩ at DC 500V
- Withstanding Voltage: AC 1500V(1min)

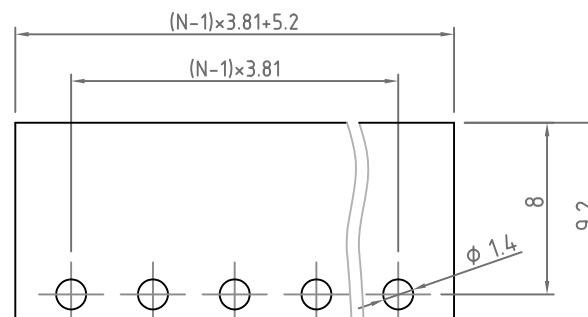
Mechanical:

- Using temperature Range: -40°C to +105°C
- Soldering temperature: +250°, 5seconds Max.

Safety approval data:  



N= Number of concats  
P.C.B. LAYOUT



RoHS Compliant

TOLERANCES ARE

**MORETHANALL**  
PCB CONNECTORS  
Cable ASSEMBLIES

煜倫股份有限公司

www.morethanall.com

DRAWING BY CY

CHECKED BY GENIUS

UNIT / mm

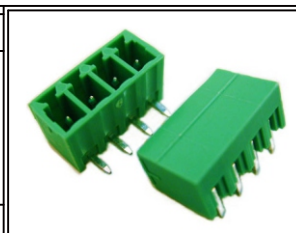
SCALE 1 : 1

DATE

SIZE A4

PPOJECTION 

X, ±  
.X ±  
.XX ± 0.30  
.XXX ± 0.10  
ANG ±



ORDER INFORMATION

TBH038-PRC-xx-LF

SERIES | LEADFREE  
02~24WAY  
CAGE  
DIP 90°  
MALE

DESCRIPTION: 3.81mm Series 90° 2P-24P Triangle Key Lock