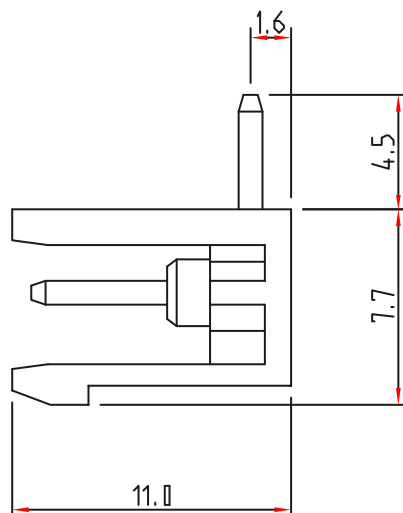


N=Number of contacts.



Technical Data:

Material:

- Solder Pin: Brass with Tin plated
- Insulator body(housing): Polyamide(Glass filled)|UL 94 V-0| Electrical

- Voltage rating: 300VAC

- Current rating: 8A

- Insulation resistance: 500MΩ at DC 500V

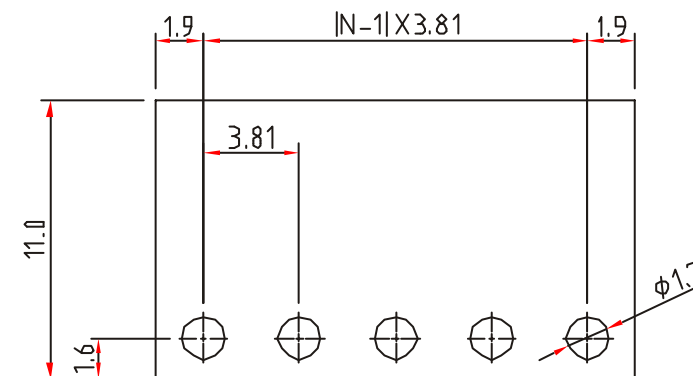
- Withstanding Voltage: AC 1500V/1min

Mechanical:

- Using temperature Range: -30°C to +105°C

- Soldering temperature: +245°, 5seconds Max.

PCB LAYOUT



RoHS Compliant

TOLERANCES ARE



煜倫股份有限公司

www.morethanall.com

DRAWING BY CY

CHECKED BY GENIUS

UNIT / mm

SCALE 1 : 1

DATE

SIZE A4

PPOJECTION

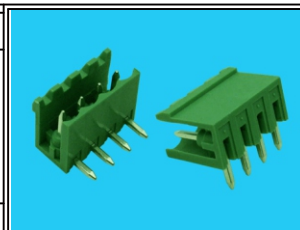
X, ±

.X ±

.XX ±

.XXX ±

ANG ±



ORDER INFORMATION

TBH038-PR-xx-LF

SERIES

LEADFREE

02-24WAY

DIP 90°

MALE

DESCRIPTION: