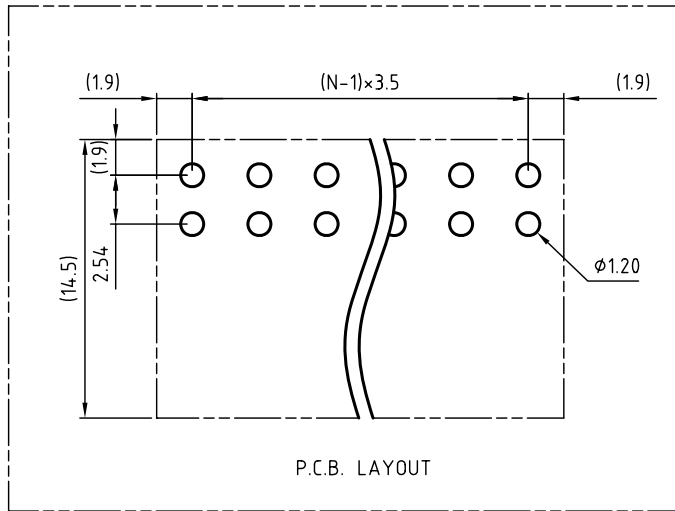
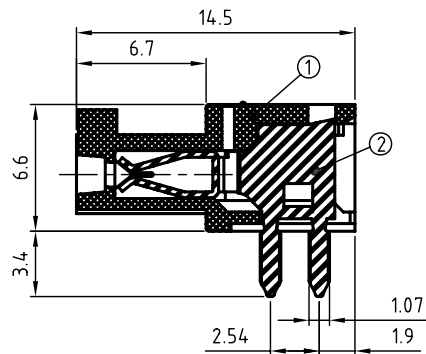
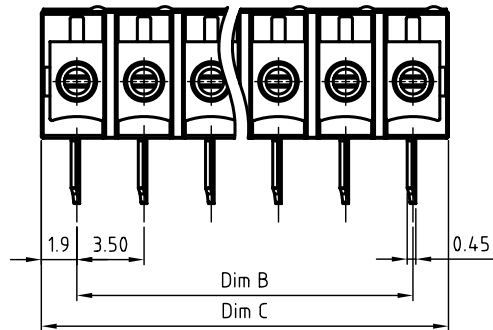


2P to 6P with wedge,
above 7P without wedge.



P.C.B. LAYOUT



Materials

Item 1 insulating body Thermoplastic (UL94V-0)
Item 2 Wire guard PhBz(CuSn), Tin plated

Electrical

- Voltage rating: 300VAC
- Current rating: 8A
- Withstanding Voltage: 1.6kv
- Operating temperature: -30°C to +105°C
- Soldering temperature: 250°C±10°C/5 Sec

TBH035-SRC-xx-LF
LEADFREE

RoHS Compliant

Poles	02	03	04	05	06	07	08	09	10	11	12	13
Dim A	6.3	9.8	13.3	16.8	20.3	23.8	27.3	30.8	34.3	37.8	41.3	44.8
Dim B	3.5	7.0	10.5	14.0	17.5	21.0	24.5	28.0	31.5	35.0	38.5	42.0
Dim C	7.2	10.7	14.2	17.7	21.2	24.7	28.2	31.7	35.2	38.7	42.2	45.7
TOL	±0.10			±0.15				±0.20				
Poles	14	15	16	17	18	19	20	21	22	23	24	
Dim A	48.3	51.8	55.3	58.8	62.3	65.8	69.3	72.8	76.3	79.8	83.3	
Dim B	45.5	49.0	52.5	56.0	59.5	63.0	66.5	70.0	73.5	77.0	80.5	
Dim C	49.2	52.7	56.2	59.7	63.2	66.7	70.2	73.7	77.2	80.7	84.2	
TOL	±0.20		±0.25				±0.30					



PART NO. TBH035-SRC-xx

DWG NO. TBH035-SRC-xx

FILE NO.

UNIT / mm

SCALE 1:1

CHECKED BY CY

DRAWING BY

PROJECTION

TOLERANCES ARE

- .X ± 0.2
- .XX ±
- .XXX ±
- AWG

DESCRIPTION:

AREA

REVISIONS

HK

DATE

煜倫股份有限公司