

N= Number of contacts

A	$(N-1) \times 3.5 + 13.8$
B	$(N-1) \times 3.5$

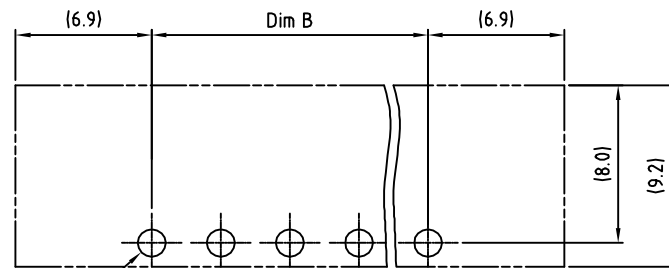
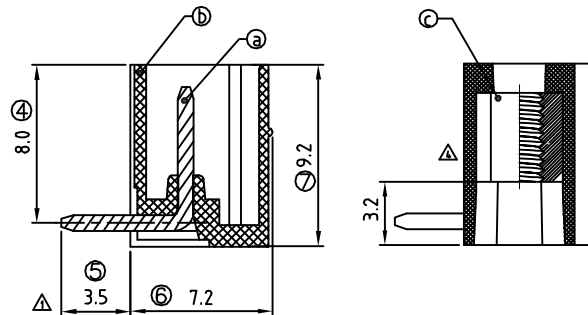
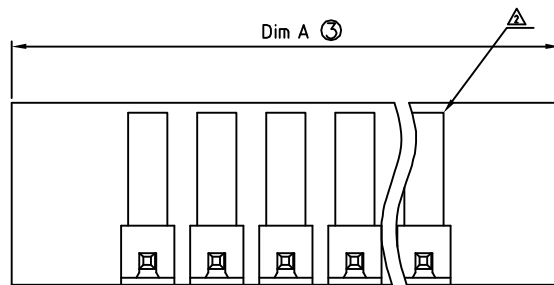
2p-6p	± 0.15
7p-12p	± 0.20
13p-16p	± 0.25
17p-24p	± 0.30

Material:

- Item ① Male contact pin: Copper C1100 Tin plated
- Item ② Terminalhousing: Thermoplastic (UL94V-0)
- Item ③ With flange nut: Brass M2.5

- Electrical: cULus /CSA /VDE
- Voltage rating: 300V/125V/125V
- Current rating: 10A/8A/10.5A
- Withstanding Voltage: 1.6 KV/1.6KV/2.5KV

- Operating temperature: -40°C to $+115^{\circ}\text{C}$
- Soldering temperature: $250^{\circ}\text{C} \pm 10^{\circ}\text{C}/5 \text{ Sec}$
- Safety Approval:



$\phi 1.40$ RECOMMENDED PCB LAYOUT

RoHS Compliant

TOLERANCES ARE

MORETHANALL
PCB CONNECTORS
Cable ASSEMBLIES

DRAWING BY CY

CHECKED BY GENIUS

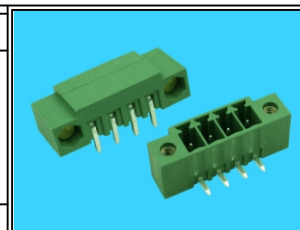
UNIT / mm SCALE 1 : 1

DATE

SIZE A4

X, \pm
.X \pm
.XX \pm
.XXX \pm
ANG \pm

PJECTION



ORDER INFORMATION

TBH035-PRCF-xx-LF
SERIES | LEADFREE
MALE | 02~24WAY
CAGE | FLANGE
DIP 90°

煜倫股份有限公司

www.morethanall.com

DESCRIPTION: