

Technical Data:

Material:

- Solder Pin: Brass with Tin plated
- Insulator body(housing): Polyamide(Glass filled)(UL94V-0)

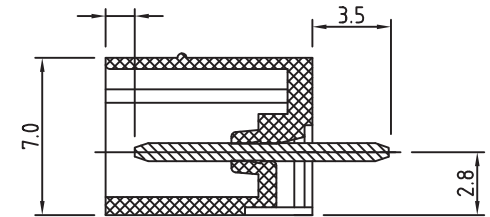
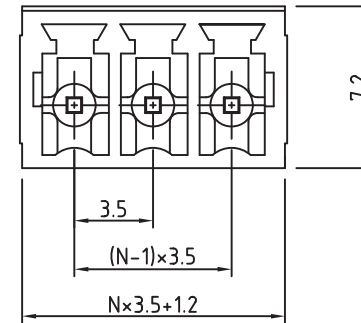
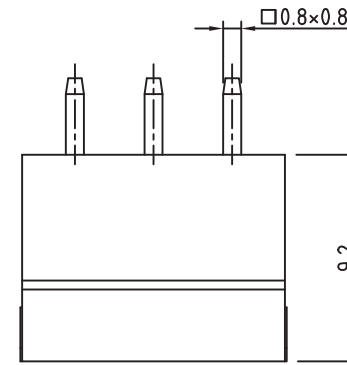
Electrical

- Voltage rating: 125VAC
- Current rating: 8A.
- Insulation resistance: 500MΩ at DC 500V
- Withstanding Voltage: AC 1200V(1min)

Mechanical:

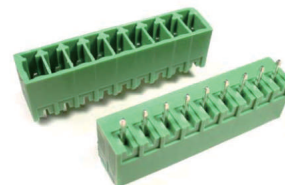
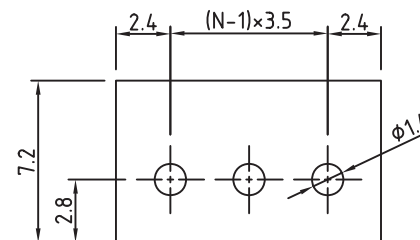
- Using temperature Range: -40°C to +105°C
- Soldering temperature: +250°, 5seconds Max.

Safety approval data: 



N=Number of contacts

P.C.B. LAYOUT



RoHS Compliant

TOLERANCES ARE

MORETHANALL
PCB CONNECTORS
Cable ASSEMBLIES

DRAWING BY CY

CHECKED BY GENIUS

UNIT/ mm SCALE 1:1

DATE

SIZE A4

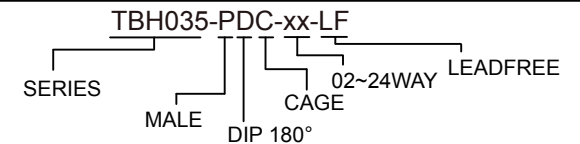
P PROJECTION 

X, ±
.X ± 0.30
.XX ± 0.10
.XXX ±
ANG ±

煜倫股份有限公司

www.morethanall.com

ORDER INFORMATION



DESCRIPTION: