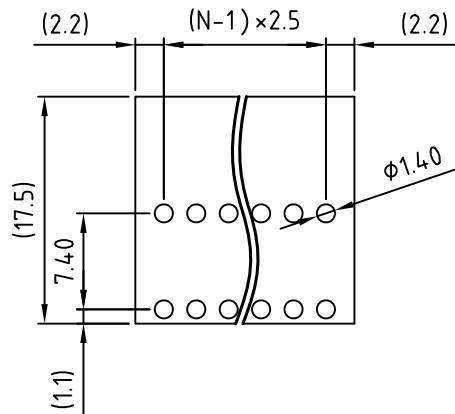
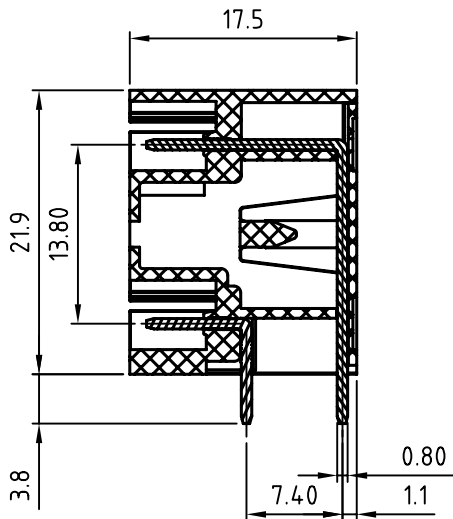


N=Number of contacts



P.C.B. LAYOUT



Material

- Terminal body (Contact pin): Brass Whit Tin plated
- Insulator (housing): Thermoplastic (UL94V-0)

Electrical

- Voltage rating: 125V
- Current rating: 4A
- Withstanding Voltage: 1.25KV
- Operating temperature: -30°C to +105°C
- Soldering temperature: 245°C ± 10°C / 5 Sec

TBH025B1-PR03-xx-LF

LEADFREE

RoHS Compliant



PART NO. TBH025B1-PR03-xx

DWG NO. TBH025B1-PR03-xx

CHECKED BY CY

TOLERANCES ARE

DESCRIPTION:

FILE NO.

DRAWING BY

.X ± 0.2
.XX ±
.XXX ±
AWG

AREA

REVISIONS

HK

DATE

煜倫股份有限公司

UNIT / mm

SCALE 1:1

PROJECTION

