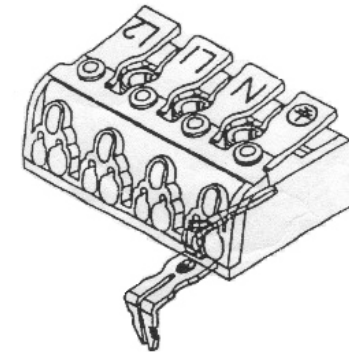
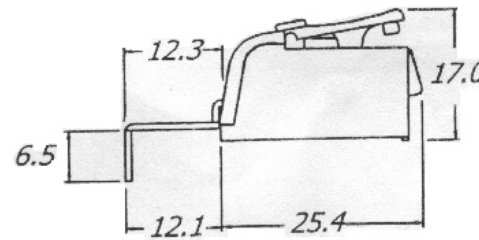
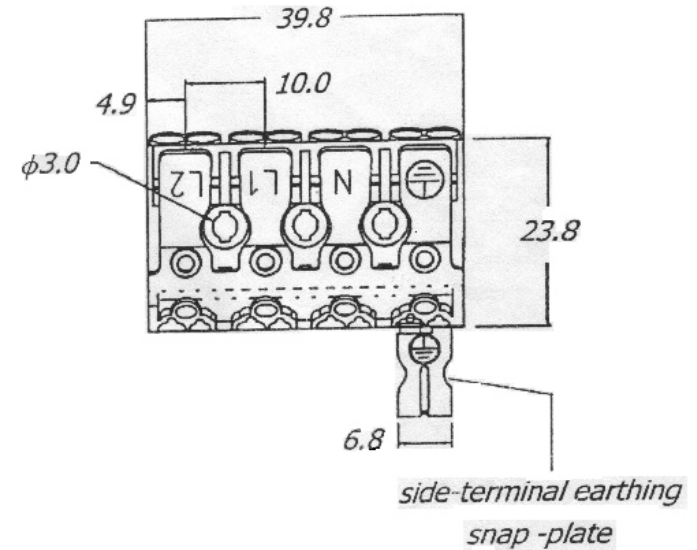
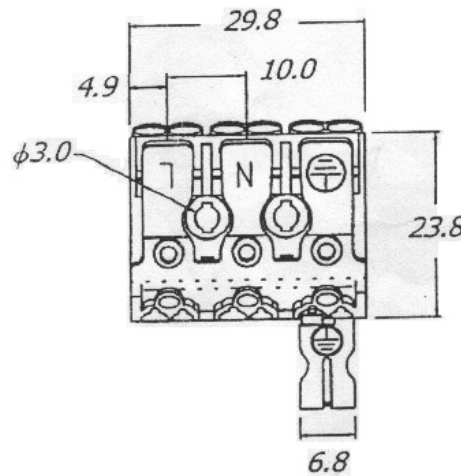


- ◆ Snap-in pins for easy fixing
- ◆ 2,3,4 and 5 poles available
- ◆ Side-terminal earthing snap-plate provided
- ◆ With test slot
- ◆ Press lever for easy release and connection
- ◆ Color - white



Technical Data

Housing

Insert

Earth contact / plate

Voltage / Ampere

Temperature

working

short period

Cross section

Polyamide 6/6

94V-2 grade

brass, nickel-plated

stainless steel

brass

400V / 24A

-40°C to 100°C

140°C

0.75 - 2.5mm²

TBE100-W-xx-LF

LEADFREE

RoHS Compliant

MORETHANALL
CONNECTORS
ASSEMBLIES

PART NO. TBE100-W-xx

DWG NO. TBE100-W-xx

CHECKED BY CY

TOLERANCES ARE

DESCRIPTION:

FILE NO.

DRAWING BY

.X ± 0.2

.XX ±

.XXX ±

AWG

AREA

REVISIONS

HK

DATE

煜倫股份有限公司

UNIT / mm

SCALE 1:1

PROJECTION

