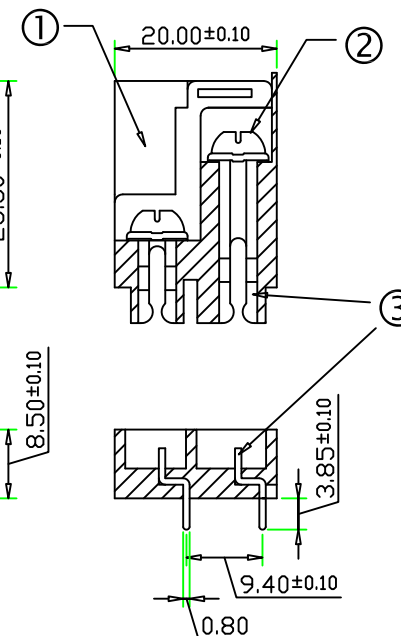
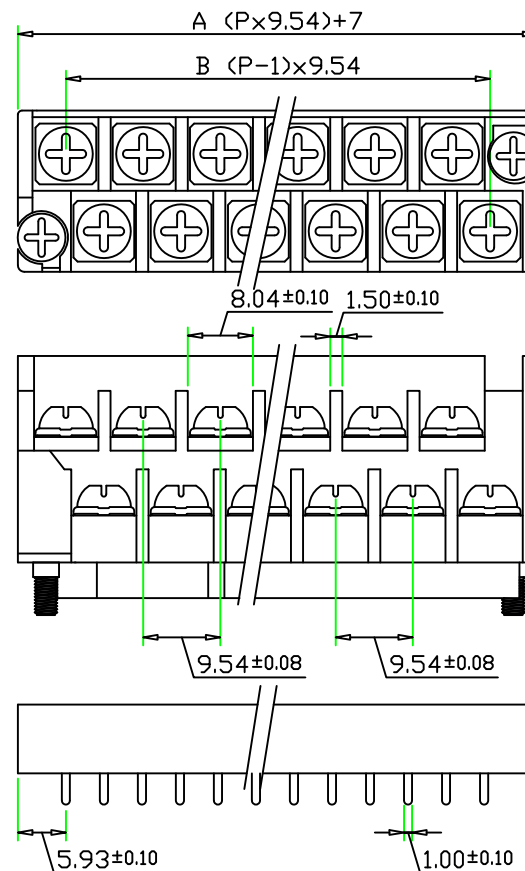
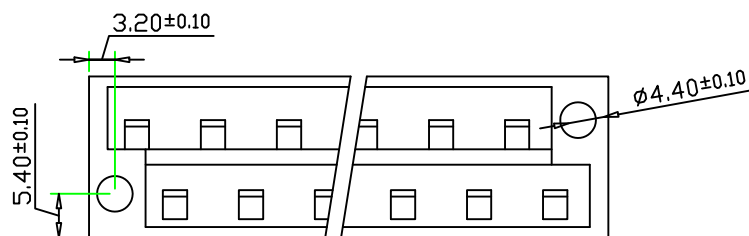


SPECIFICATIONS

- ① Housing Material: Polyamide66 (UL 94V-0),Black
- ② Screw: M3.5 Nickel Plated Steel
- ③ Terminals: Gold Plated Brass

Screws Torque: 9 In-Lb
 Wire Range: 14~22 WG
 Rated: 10 Amperes.AC300V
 Operation Temperature: -55°C~+95°C
 Insulation withstands volt: AC2000V min
 Insulation resistance: >1000MΩ or more at DC500V



Tolerance ± 0.5

POLE	2	3	4	5	6	7	8	9	10	11	12	13	14	15	
A	26.08	35.62	45.16	54.7	64.24	73.78	83.32	92.86	102.4	111.94	121.48	131.02	140.56	150.1	
B	9.54	19.08	28.62	38.16	47.7	57.24	66.78	76.32	85.86	95.4	104.94	114.48	124.02	133.56	
POLE	16	17	18	19	20	21	22	23	24	25	26	27	28	29	30
A	159.64	169.18	178.72	188.26	197.8	207.34	216.88	226.42	235.96	245.5	255.04	264.58	274.12	283.66	293.2
B	143.1	152.64	162.18	171.72	181.26	190.8	200.34	209.88	219.42	228.96	238.5	248.04	257.58	267.12	276.66



www.morethanall.com

RoHS Compliant

DRAWING BY CY
 CHECKED BY GENIUS
 UNIT / mm SCALE 1 : 1
 DATE
 SIZE A4 PPROJECTION

TOLERANCES ARE

X. ±
 .X ±
 .XX ±
 .XXX ±
 ANG ±

照片框

ORDER INFORMATION

TBCZ095-PDSW-xx-LF
 SERIES | LEADFREE
 | 02~30WAY
 | SCREW WIRE
 | DIP 180°
 MALE

DESCRIPTION: Dual Level PCB type terminal block