

SPECIFICATIONS

- ① Housing Material: Polyamide 66(UL94V-0), Black
- ② Screw: M4.0 Nickel Plated Steel
- ③ Terminals: Tin Plated Brass

Screws Torque: 20 In-Lb

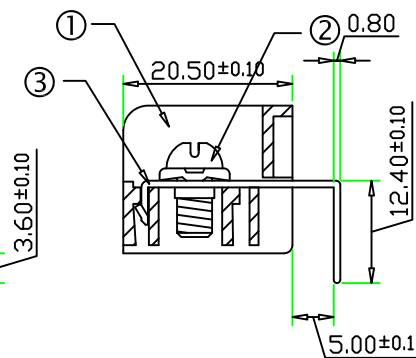
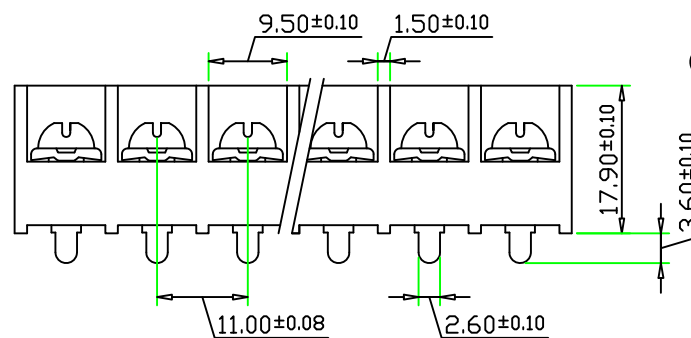
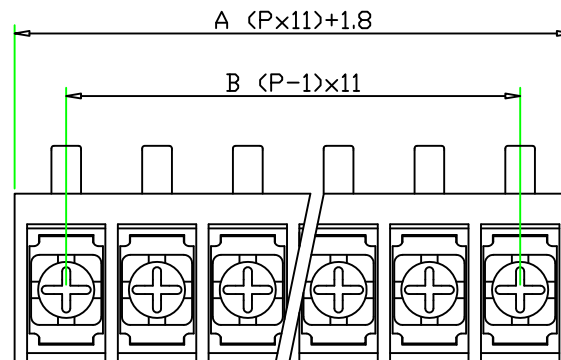
Wire Range: 12~22 AWG

Rated: 30 Amperes.AC300V

Operation Temperature: -55°C~+95°C

Insulation withstands volt: AC2000V min

Insulation resistance: >1000MΩ or more at DC500V



Tolerance ± 0.5

POLE	2	3	4	5	6	7	8	9	10	11	12	13	14	15	
A	23.8	34.8	45.8	56.8	67.8	78.8	89.8	100.8	111.8	122.8	133.8	144.8	155.8	166.8	
B	11	22	33	44	55	66	77	88	99	110	121	132	143	154	
POLE	16	17	18	19	20	21	22	23	24	25	26	27	28	29	30
A	177.8	188.8	199.8	210.8	221.8	232.8	243.8	254.8	265.8	276.8	287.8	298.8	309.8	320.8	331.8
B	165	176	187	198	209	220	231	242	253	264	275	286	297	308	319

RoHS Compliant

TOLERANCES ARE

MORETHANALL
PCB CONNECTORS
Cable ASSEMBLIES

DRAWING BY CY

CHECKED BY GENIUS

UNIT / mm SCALE 1 : 1

DATE

SIZE A4

X. ±
.X ±
.XX ±
.XXX ±
ANG ±

P PROJECTION

照片框

ORDER INFORMATION

TBC110-R-xx-LF

SERIES | LEADFREE
02~30WAY
DIP 90°

煜倫股份有限公司

www.morethanall.com

DESCRIPTION: