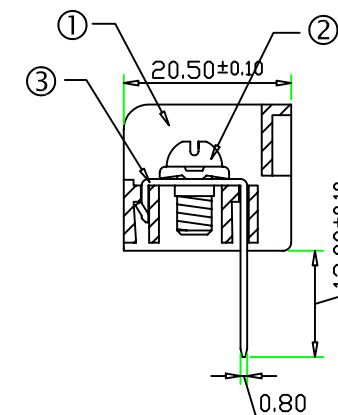
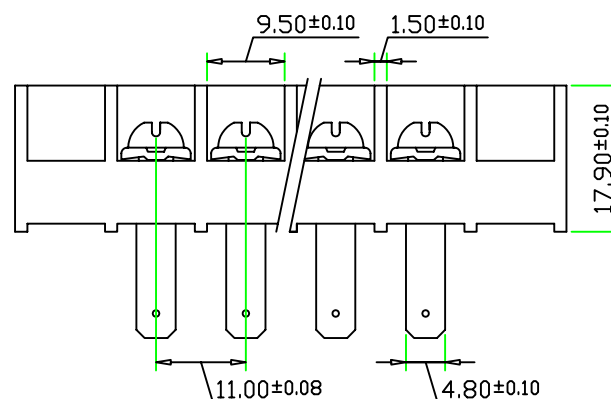
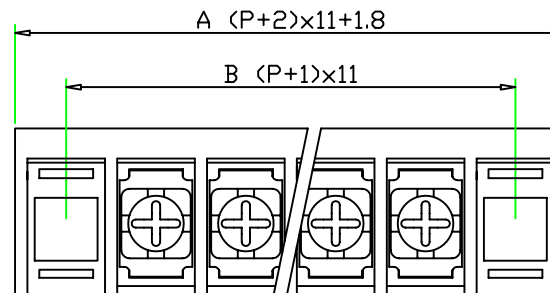


SPECIFICATIONS

- ① Housing Material: Polyamide 66(UL94V-0), Black
- ② Screw: M4.0 Nickel Plated Steel
- ③ Terminals: Tin Plated Brass

Screws Torque: 20 In-Lb
 Wire Range: 12~22 AWG
 Rated: 30 Amperes.AC300V
 Operation Temperature: -55°C~+95°C
 Insulation withstands volt: AC2000V min
 Insulation resistance: >1000MΩ or more at DC500V



Tolerance ± 0.5

POLE	2	3	4	5	6	7	8	9	10	11	12	13	14	15	
A	45.8	56.8	67.8	78.8	89.8	100.8	111.8	122.8	133.8	144.8	155.8	166.8	177.8	188.8	
B	33	44	55	66	77	88	99	110	121	132	143	154	165	176	
POLE	16	17	18	19	20	21	22	23	24	25	26	27	28	29	30
A	199.8	210.8	221.8	232.8	243.8	254.8	265.8	276.8	287.8	298.8	309.8	320.8	331.8	342.8	353.8
B	187	198	209	220	231	242	253	264	275	286	297	308	319	330	341


MORETHANALL
 PCB CONNECTORS
 Cable ASSEMBLIES

煜倫股份有限公司

www.morethanall.com

RoHS Compliant

DRAWING BY CY
 CHECKED BY GENIUS
 UNIT / mm SCALE 1 : 1
 DATE
 SIZE A4 PPROJECTION

TOLERANCES ARE

X. ±
 .X ±
 .XX ±
 .XXX ±
 ANG ±

照片框

ORDER INFORMATION

TBC110-Q48E-xx-LF
 SERIES | LEADFREE
 | 02~30WAY
 | EAR
 | TAB 4.8mm

DESCRIPTION: Closed barrier type terminal block