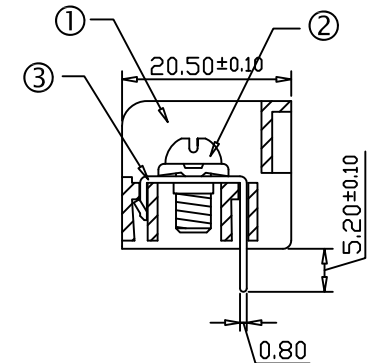
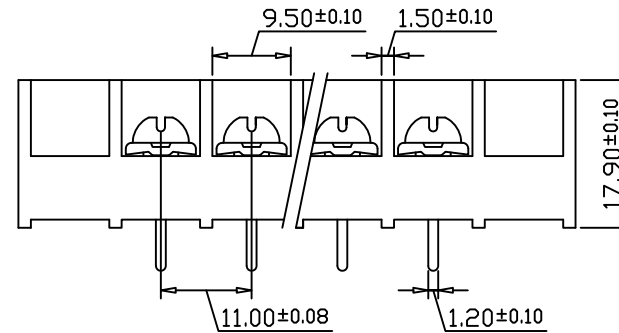
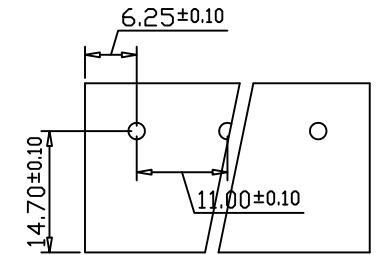
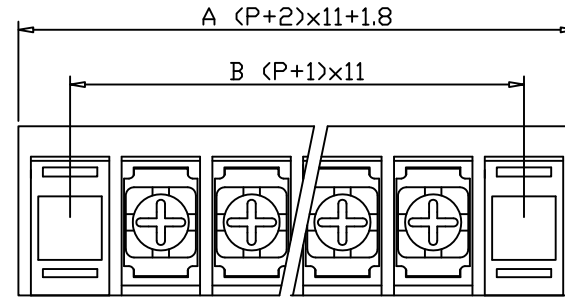


# SPECIFICATIONS

- ① Housing Material: Polyamide 66(UL94V-0), Black
- ② Screw: M4.0 Nickel Plated Steel
- ③ Terminals: Tin Plated Brass

Screws Torque: 20 In-Lb  
 Wire Range: 12~22 AWG  
 Rated: 30 Amperes.AC300V  
 Operation Temperature: -55°C~+95°C  
 Insulation withstands volt: AC2000V min  
 Insulation resistance: >1000MΩ or more at DC500V



Tolerance ± 0.5

POLE	2	3	4	5	6	7	8	9	10	11	12	13	14	15	
A	45.8	56.8	67.8	78.8	89.8	100.8	111.8	122.8	133.8	144.8	155.8	166.8	177.8	188.8	
B	33	44	55	66	77	88	99	110	121	132	143	154	165	176	
POLE	16	17	18	19	20	21	22	23	24	25	26	27	28	29	30
A	199.8	210.8	221.8	232.8	243.8	254.8	265.8	276.8	287.8	298.8	309.8	320.8	331.8	342.8	353.8
B	187	198	209	220	231	242	253	264	275	286	297	308	319	330	341

RoHS Compliant

TOLERANCES ARE

DRAWING BY CY

CHECKED BY GENIUS

UNIT / mm SCALE 1 : 1

DATE

SIZE A4

X, ±  
 .X ±  
 .XX ±  
 .XXX ±  
 ANG ±

P PROJECTION

照片框

ORDER INFORMATION

TBC110-DE-xx-LF

SERIES | | LEADFREE  
 | | 02~30WAY  
 | | EAR  
 | | DIP 180°

DESCRIPTION:

煜倫股份有限公司

www.morethanall.com